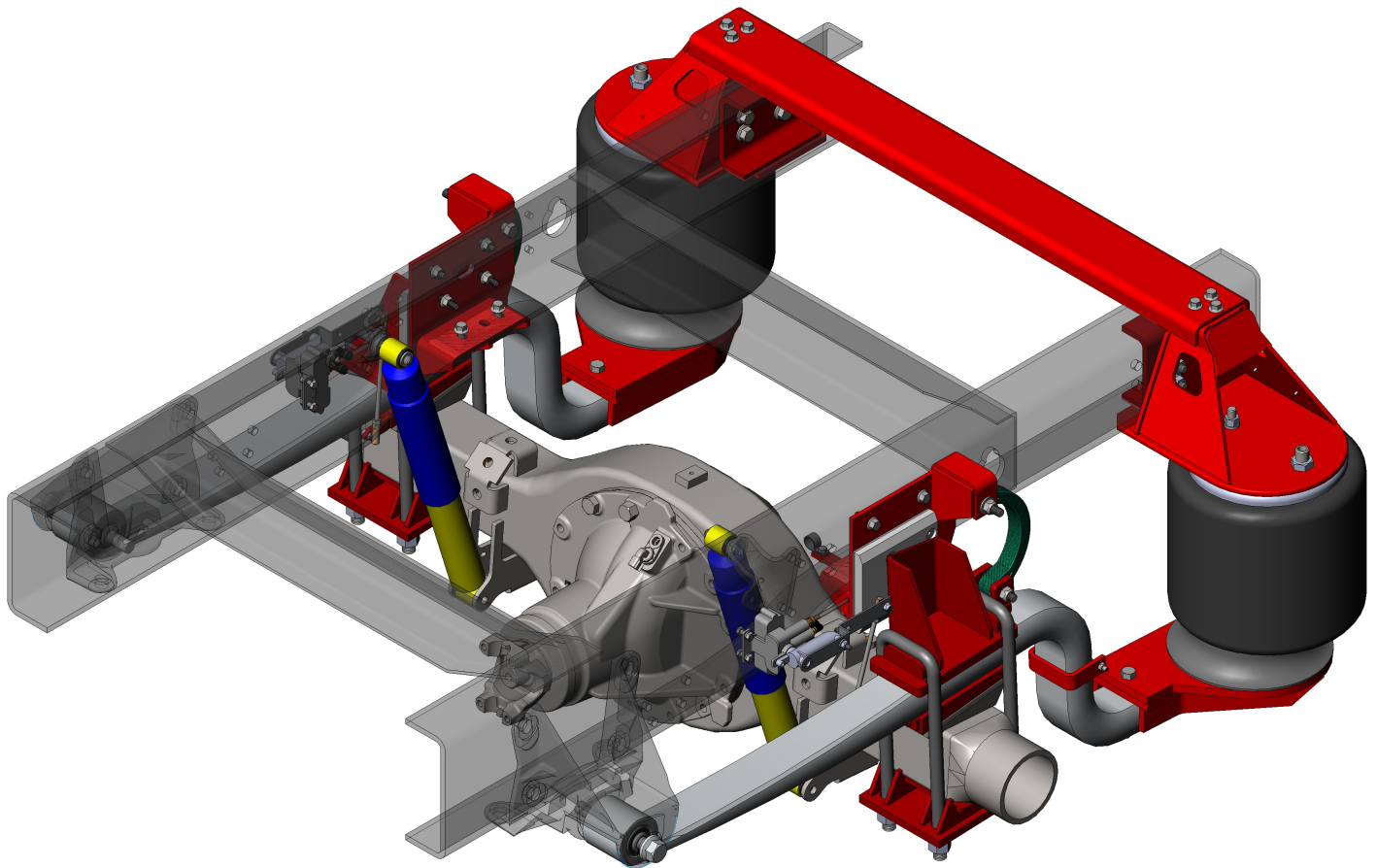


RD1350F | Ford F-550 Chassis Cab (1999 - 2007)

**Maintenance Instructions
Service Parts**



Document #: D710242
Revision: B
Revision Date: 7/24/14

1-800-753-0050

www.reycogranning.com

Reyco Granning Suspensions
1205 Industrial Park Drive
Mount Vernon, MO 65712
Phone: 417.466.2178
Fax: 833.896.6997

TABLE OF CONTENTS

Revision History	2
Introduction.....	3
Company Profile	3
Suspension Description.....	3
Air Control System	4
About This Manual	6
General Information.....	7
Range of motion and capacity.....	7
Identification	8
Controls.....	9
Power ON/OFF Switch.....	9
Exhaust/Inflate Switch.....	9
Gauges, Lights, Buzzers	10
Operation.....	10
Parts List	11
Bill of materials.....	11
Main exploded view.....	12
Detailed exploded views.....	13
Inspection & Maintenance	15
HCV Adjustment	16
Height Control Valve Inspection & Adjustment	16
Torque Specifications	17
Torque table	18
Maintenance Schedule	19
Maintenance Record	20
Troubleshooting.....	21
Replacement Instructions and Warranty.....	23

REV	ECR #	DATE	CHANGE DESCRIPTION	BY
A	-	03/11/10	RELEASED	-
B	17415	7/24/14	Updated manual. Removed Installation Checklist, Installation Instructions, & Air Kit Info. Added U-Bolt Note	CRG

INTRODUCTION

Company Profile

Reyco Granning Suspensions was formed by the merger and acquisition of two well-known names in the heavy duty vehicle suspension industry—Reyco and Granning.

Reyco grew out of the Reynolds Mfg. Co and was first known as a major supplier of brake drums for heavy duty vehicles and later developed a full line of air and steel-spring suspensions for trucks, buses, trailers and motorhomes.

Granning Air Suspensions was founded in 1949 in Detroit, Michigan as a manufacturer of auxiliary lift axle suspensions. Granning later became an innovator of independent front air suspensions for the motorhome industry.

Reyco Granning LLC was formed in early 2011 through a partnering of senior managers and MAT Capital, a private investment group headquartered in Long Grove, Illinois.

Congratulations on your purchase of a ReycoGranning® *AIRGLIDE*® drive axle air suspension system. Founded in 1948 by one of the pioneers of air suspensions, ReycoGranning® Air Suspensions supplies drive and tag axle air suspension systems to a variety of original equipment manufactures as well as to the aftermarket industry. The R-Series, trade named *AIRGLIDE*®, are utilized by OEM customers in applications such as recreational vehicles, shuttle bus, trailer, chassis builders, Type I and III ambulances and class 3 through 8 truck applications. This product line now exceeds 25 models that cover all major chassis utilized in the above applications.

Suspension Description

A ReycoGranning® *AIRGLIDE*® drive axle air suspension system is a replacement rear suspensions system that consists of an air control system, air springs, trailing arm beams, brackets, and mounting hardware. In general, the air suspension works by maintaining a constant ride height by adjusting the amount air pressure in the air springs. This allows the vehicle to remain level, regardless of loading. By varying the amount of air pressure in the springs, a comfortable ride is maintained whether lightly or heavily loaded. This is the major difference between an air suspension and a conventional steel spring suspension. The steel spring suspension is usually designed for heavily loaded condition and thus yields a harsh ride in lightly loaded conditions. In addition, the steel spring suspension does not maintain a constant ride height under varying load conditions.

By maintaining a constant ride height, the horizontal center of gravity, steering geometry, and even the headlights remain level. The benefits of an air ride are:

1. Driver/passenger comfort,
2. Protection of cargo, chassis and body components,
3. Reduced stress fatigue to chassis frame rails.
4. Greater stability and control.

INTRODUCTION

A unique feature to the ReycoGranning® *AIRGLIDE*® drive axle air suspension system is the wear towers and wear blocks. These time proven components prevent unwanted side to side lateral motion without the use of costly and complex track rods.

Air Control System

A primary subsystem of a ReycoGranning® *AIRGLIDE*® drive axle air suspension system is the air control system. Depending on the actual system used, the air control system will provide the ability to automatically control the amount of air pressure in the air springs, thus automatically control the suspension ride height.

The major components of an automatic air control system consist of an air compressor, reservoir tank, height control valve, and air spring. The operation of the system is simple. The compressor supplies air to the tank, which maintains the air pressure between 95 - 125 psi. Air from the tank is supplied to the height control valve. The height control valve supplies air to or depletes air from the air spring via a mechanical linkage based on axle loading. The pressure changes in the air spring but the height remains the same, thereby giving the optimum ride regardless of load.

A system with a single height control valve supplies both air springs simultaneously while a dual height control valve system supplies each air spring separately. The dual system increases the sensitivity of side-to-side distributions of axle loading. A schematic of each system can be found in the Air Control System Parts List section. See Air Control System - Control Panels and Operation sections.

Located on the bottom of the air tank assembly, is a heated moisture ejector valve. (The valve is heated to eliminate ice build up.) This valve automatically releases accumulated water from the air tank every time the driving brake is used. Each time the driver presses the brake pedal, the ejection valve releases a bit more water, insuring a well drained system.

There is a small round button/port in the center of the underbelly of this valve. Press this button with your finger to manually drain accumulated water from the tank when the vehicle is turned "off".

Optional "kneeler" or exhaust valve(s) may be plumbed between the air springs and the height control valve(s). When power is applied to these valves, they shut off air supply from the height control valve to the air springs and exhaust air from the air springs. As long as power is supplied to the "kneeler" valve, usually through the "exhaust" position of the "inflate/exhaust" switch, the air springs will remain deflated. With the air springs deflated, the rear end of the vehicle will remain lowered, or "kneeled", with the chassis resting on positive jounce stops. Removing power to the "kneeler" valve allows air to flow from the height control valve to the air springs and shuts off exhaust from the air spring, thus inflating the air springs. The rear end of the vehicle is automatically raised to the proper ride height. Systems with dual height control valves require two "kneeler" valves, one between each air spring and height control valve, if the exhaust option is equipped.

To further improve the ride of an air suspension, ReycoGranning® offers a dual ping tank kit. One ping tank is added to each side between the air spring and the height control valve, or "kneeler"

INTRODUCTION

dump valve if installed. These 200 cubic inch ping tanks effectively increase the volume of the air spring, without having to utilize a larger air spring. The spring rate of a system is directly proportional to the volume of the air spring. The larger the air spring volume, the lower the spring rate; thus the better the ride. However, the amount of air flowing between the air spring and ping tank can limit the effective air volume of the system. Therefore, adding larger and larger ping tanks may not result in significant changes in the suspension spring rate. ReycoGranning[®] ping tank kits have been designed to provide the ideal increase in volume and proper airflow.

A side effect in adding ping tanks is possible increase in air spring inflation times. With a ping tank system installed, the larger volume of air, which improves the spring rate, must be refilled each time the system is "kneeled". ReycoGranning[®] ping tank kits have been designed to minimize this effect, while improving the ride.

Finally, optional warning light sensors or air pressure gauges may be plumbed to either the air reservoir tank or to the air springs. These warning devices will indicate possible problems with the air suspension system prior to operation. Gauges that are plumbed to the reservoir tank will read between 95 and 125 psi, as described above. Any air gauge that is plumbed directly to the air spring will show fluctuations depending on axle loading and vehicle operation.

INTRODUCTION

About This Manual

This publication is intended to acquaint and assist maintenance personnel in the maintenance, service, repair and rebuild of the **Reyco Granning**[®] RD1350F Rear Suspension. It is important to read and understand the entire Technical Procedure publication prior to performing any maintenance, service, repair, or rebuild of this product.

Reyco Granning[®] Air Suspensions reserves the right to modify the suspension and/or procedures and to change specifications at any time without notice and without incurring obligation. Contact customer service at **800-753-1060** for information on the latest version of this manual.

You must follow your company safety procedures when you service or repair the suspension. Be sure you read and understand all the procedures and instructions before you begin work on the suspension.

Reyco Granning[®] uses the following types of notes to give warning of possible safety problems and to give information that will prevent damage to equipment.



WARNING

A warning indicates procedures that must be followed exactly. Serious personal injury can occur if the procedure is not followed.



CAUTION

A caution indicates procedures that must be followed exactly. Damage to equipment or suspension components and personal injury can occur if the procedure is not followed.

NOTE

A note indicates an operation, procedure or instruction that is important for correct service.

Some procedures require the use of special tools for safe and correct service. Failure to use these special tools when required can cause personal injury or damage to suspension components.

The latest revision of this publication is available online at <http://www.ReycoGranning.com/>
Reyco Granning[®] Air Suspensions has developed this service manual to aid in the maintenance of **Reyco Granning**[®]'s rear suspensions.

GENERAL INFORMATION

Range of Motion and Capacity

The following table lists the various models and their respective capacities.

Model	Capacity	Axle Capacity
RD1350F	13,500 lbs	13,500 lbs

Overloading the suspension may result in adverse ride and handling characteristics.

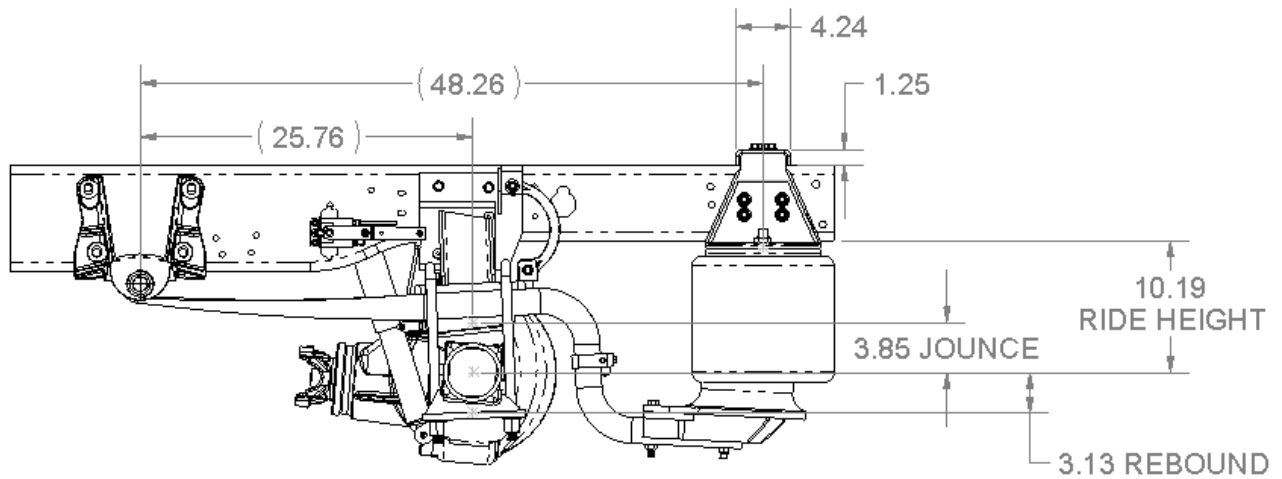


Figure 1: Suspension range of motion

Note: The ride height is for the completed vehicle with body and components. See table below for correct vehicle dimensions.

Chassis	Reyco Granning® Suspension Model	Ride Height *	Jounce Travel	Rebound Travel
Ford F550 SuperDuty Cab Chassis	RD1350F	10.19"	3.85"	3.13"

*Ride height is measured from the axle center (flat and level) to the bottom of the vehicle frame as close to directly above the axle as possible.

GENERAL INFORMATION

Identification

The suspension model and serial number are stamped on an aluminum tag that is riveted to the driver side upper Air Spring Pad (See View "G "). The serial number is used by **Reyco Granning**® for control purposes and should be referred to when servicing the suspension (See Figure 2).

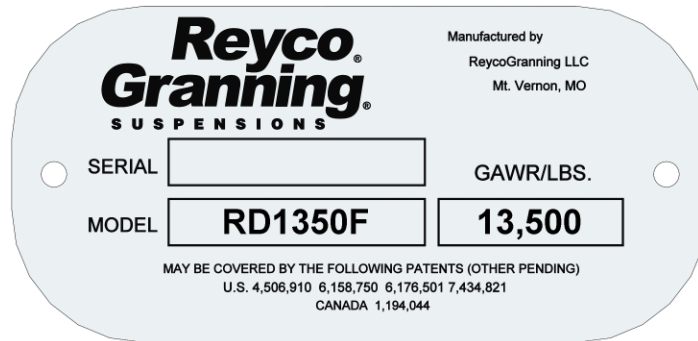


Figure 2: Suspension Identification

CONTROLS

Descriptions of the typical controls are found below. Note: some original equipment manufactures (OEM) will use controls integrated into the instrument panel. While the appearance may differ, the operation and description are consistent with below.

Power ON/OFF Switch

This master switch turns the power off and on to the compressor and other electrical components of the drive axle suspension. To activate the compressor and other electrical components, move the switch to "ON".

The vehicle ignition switch may need to be turned on to activate this switch.

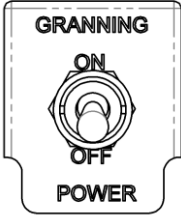
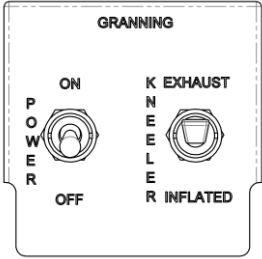
Exhaust/Inflate Switch

If the system is equipped with an optional "kneeler" exhaust valve(s), the control panel will have an Exhaust/Inflate switch. Moving the switch to "Exhaust" position exhausts all air from the air springs. While the switch is in the "Exhaust" position, the air springs will remain deflated.

Exhausting air from the air springs may be required to: assist in maintenance and lower the rear of the vehicle to assist in loading.

Caution: Only operate the exhaust feature while the vehicle is parked. Never exhaust the system while the vehicle is in motion.

To inflate the air springs, place the switch in the "Inflate" position.

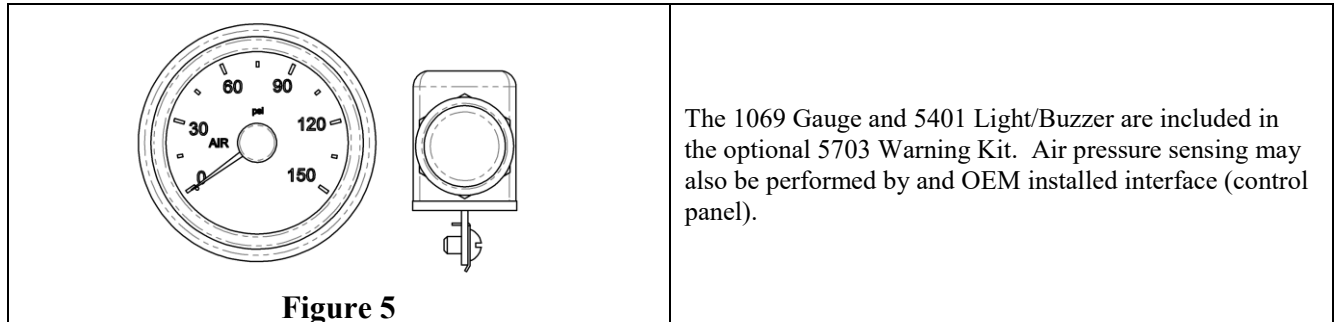
 <p style="text-align: center;">Figure 3</p>	<p>The 5016 Control Panel Assembly, with Power ON/OFF only. Included with the 9932 Air Control Kit.</p>
 <p style="text-align: center;">Figure 4</p>	<p>The 5008 Control Panel Assembly, with Power ON/OFF and "Kneeler" Dump Valve Switches. The 5008 Control Panel Assembly is included with the 9930 Air Control Kit.</p>

CONTROLS

Gauges, Lights, Buzzers

As an option, the Air Pressure Warning Light/Buzzer kit may be installed. The gage will indicate air tank pressure. If air pressure falls below 20 psi, a warning light and buzzer will activate.

Do **NOT** operate the vehicle in this condition. The buzzer/light will go off once 40 psi air pressure is reached.



Operation

Operation of the ReycoGranning[®] *AIRGLIDE*[®] drive axle suspension utilizing an automatic height control system is reached through various control panels. Depending upon options included with the suspension system, the control panel should be operated as follows:

Before operating the vehicle:

Switch the power to "ON", if "OFF".

Make sure the Exhaust/Inflate switch is in the "Inflate" position, if the suspension is so equipped.

If equipped, check:

That the Low Pressure Warning Light and Buzzer are off

The vehicle is ready for operation.

To exhaust the system, if the suspension is equipped with an exhaust option:

Make sure the vehicle is parked.

Move the Exhaust/Inflate switch to the "Exhaust" position.

CAUTION – Vehicle will return to Ride Height, if power is turned Off.

Although the air suspension master power switch can be left "ON", ReycoGranning[®] recommends turning the system off while the vehicle is parked for an extended period, if the suspension system is not switched through the vehicle ignition switch. This will avoid running down the battery.

PARTS LIST

RD1350F

ITEM #	QTY	PART NO.	DESCRIPTION	ITEM #	QTY	PART NO.	DESCRIPTION
1	2	100048-P1	HHB 1/2-13x1.00 Gr.8 ZN	30	14	702605-01	LFN 3/8-16, Gr. G, ZN
2	3	100703-P1	LN 1/4-20 STOVER, GR. 8, ZN	31	2	703095-01	Backing Plate
3	1	101563-P1	HHB 1/4-20x.75 Gr.5 ZN	**32	1	708580-01	Heat Shield, Flexible
4	8	103003	HFW 3/4	33	2	709872-01	Upper Air Spring Pad
5	2	118	FW .531 X 1.062 X .095 ZP	*34	2	709953-04	HCV LINK NON-ADJ 7.40"
6	2	127	HHB 1/2-20x3.50 Gr.8 ZN	35	1	709971-01	Asy, Axle Wedge, LH
7	2	188	Pop Rivet 1/8" dia. x .525" long	36	1	709971-02	Asy, Axle Wedge, RH
8	1	2617	Plate-Serial No.	37	2	710075-01	Shock Absorber
9	8	276	FHB 1/2-13x1.75 GR.8	38	2	7132	Sleeve, Rebound Strap (1.20)
10	4	298	SFCS 3/8-24 x 2.00 Gr.8	*39	4	8120375	Nut 1/4-20, Gr. 5, ZP
11	14	302	FHB 3/8-16 x 1.25" Gr. 8 ZN	40	2	8120378	N 1/2-13, Gr. 5, ZP
12	8	304	LFN 3/8-24, Gr. F, ZINC	*41	4	8120380	SLW 1/4"
13	8	308	LFN 1/2-13, GR. G ZN	42	2	8120384	SLW 1/2 .523x.873x.135 ZN
14	1	314	HHB 1/4-20x4.00 Gr.8 ZN	*43	4	8180020	HHB 1/4-20 x 3/4, Gr. 5, ZN
15	4	4356	SFCS 3/8-24 x 1.5 GR.8 PH	44	1	8180022	HHB 1/4-20 x 1, Gr. 5, ZN
16	2	5449	Rebound Strap 8.75x1.00	45	2	8219758	JN 3/4-16, Gr. 5, ZP
*17	2	5608	Height Control Valve	46	2	8274318	HHB 1/2-20 x 5, GR.8
18	2	6573	Spacer, Rebound Strap (2.937)	*47	4	8454750	LN 1/4-28 GR 5
19	8	6868	HN 3/4-16 Highnut Gr.C	48	2	8455030	HHB 1/2-20 x 2.75, Gr. 8
20	1	700107-01	Asy, Lower Air Spring Pad LH	49	2	8455034	HHB 1/2-20 X 4, GR.8, ZN
21	1	700107-02	Asy, Lower Air Spr. Pad RH	50	2	8628	Clip, Tube/Wire .75, .281 Hole
22	4	701740-01	U-Bolt 3/4-16x13.25	51	1	8876	Brkt. Parking Brake Cable
*23	4	702016-02	Elbow Swivel 1/4Tx1/8MPT	52	1	8877	Asy, Wear Tower LH
24	1	702140-01	Crossmember	53	1	8878	Asy, Wear Tower RH
25	4	702145-01	Shim-Wear Blk 5.3W 5.9L X 1/16	54	2	8886	Asy, Axle Saddle
26	1	702149-01	Wear Pad, LH	55	2	8891	Asy, Spring Beam
27	1	702149-02	Wear Pad, RH	56	2	8896	Air Spring
28	1	702150-01	Asy, Backing Plate LH	57	8	89422302	LN 1/2-20, Gr. C
29	1	702150-02	Asy, Backing Plate RH	**58	1	D9933	Kit, Drawing/Document RD1350F

*Part of K710132

**Not Shown/Called Out

PARTS LIST

Main Exploded View

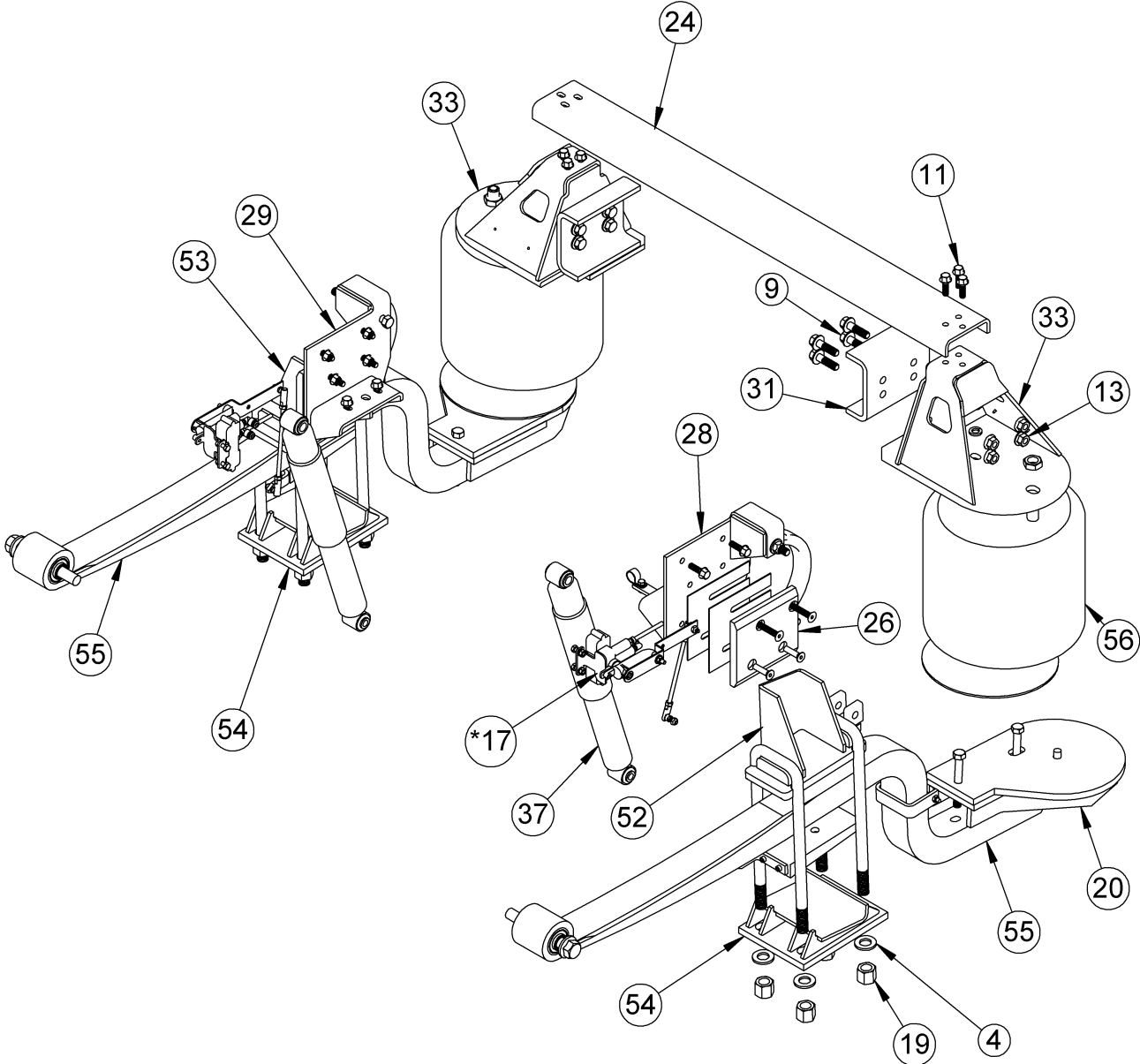


Figure 6: Main exploded view

PARTS LIST

Detailed Exploded Views

Installation Notes:

- 1.) Install Hex Head Bolt 127 into lower air spring pad assemblies before mounting air springs.
- 2.) Insure that piston & lower retainer of air spring are flush with lower air spring pad assembly mounting surface before tightening mounting bolt.
(Inflate air spring with a small amount of air to seat the piston)
- 3.) If the brake line is attached to the axle, then it will not need to be attached to the Spring Beam. Brake line may not be routed the same way as shown in view D. View C has a bracket, which is not needed with all applications, and may not come with all RD1350 Units.

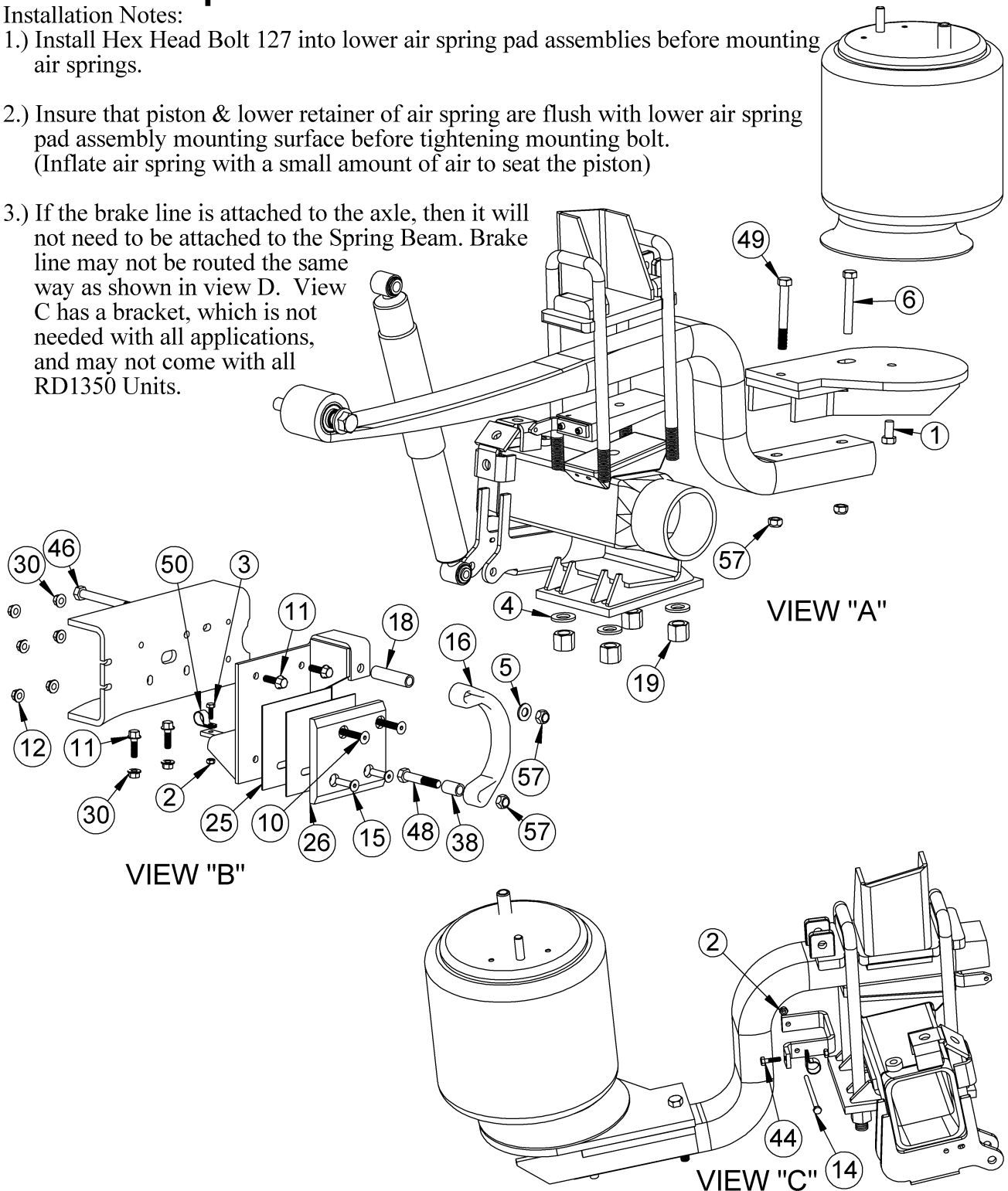


Figure 7: Detailed exploded views "A" , "B", & "C"

PARTS LIST

Detailed Exploded Views

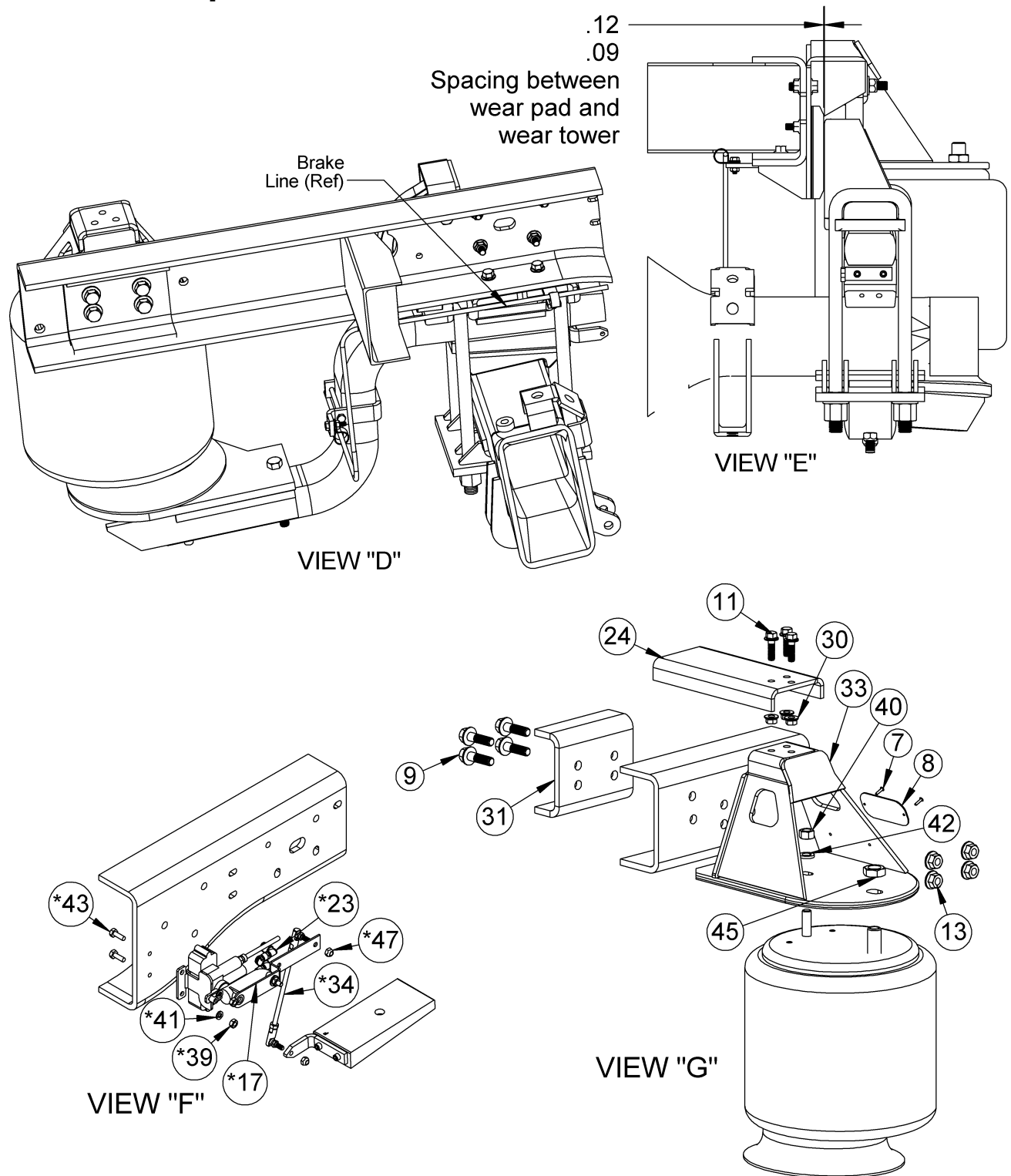


Figure 8: Detailed exploded views "D", "E", "F", & "G"

INSPECTION & MAINTENANCE

Perform a thorough visual inspection of the suspension to ensure proper assembly and to identify broken parts and loose fasteners each time the vehicle suspension is serviced. Do the following during an inspection.

- **Fasteners** - Using a calibrated torque wrench check that all the fasteners are tightened to the proper torque.
- **Wear and Damage** - Inspect components of the suspension for wear and damage. Look for bent or broken components. Replace all worn or damaged components.
- **Operation** - Check that all components move freely through the complete turning arc.



CAUTION: Reyco Granning® recommends replacing any damaged or out-of-specification components. Reconditioning or field repairs of major rear suspension components is not allowed.

Note: Refer to Section 1 for identification of components.

NOTE: Reyco Granning® recommends the use of a maintenance pit or full vehicle lift during the inspection of components.



WARNING: Never work under a vehicle supported by only a jack. Jacks can slip or fall over and cause serious personal injury. Always use safety stands.

INSPECTION & MAINTENANCE

HCV Adjustment

Height Control Valve Inspection and Adjusting Suspension Ride Height

The height control valve (HCV) and linkage should be checked regularly for proper clearance, operation and adjustment. The ride height of the rear suspension is the distance from the bottom of the chassis frame rail to the center of the axle. Properly adjusted ride height results in correct suspension travel and alignment. The ride height should not be adjusted to adjust chassis rake angle.

To check ride height

1. Park the vehicle on a level surface.
2. If the suspension is equipped with kneelers lower the suspension.
3. Re-inflate the air suspension. Allow the Suspension to settle.
4. Set the parking brake and block the drive wheels to prevent vehicle movement.
5. make sure nothing is interfering with the travel of the height control valve arms,
6. Measure the distance from bottom of chassis to center of axle on each side. The ride height should be 10.19 inches.

To adjust ride height

1. Loosen nut on side of HCV arm,
2. Slide short arm up or down as needed,
3. Torque nut to 30 to 45 in-lbs,
4. Repeat steps 1 thru 3 on other side,
5. Recheck ride height as stated in previous section.

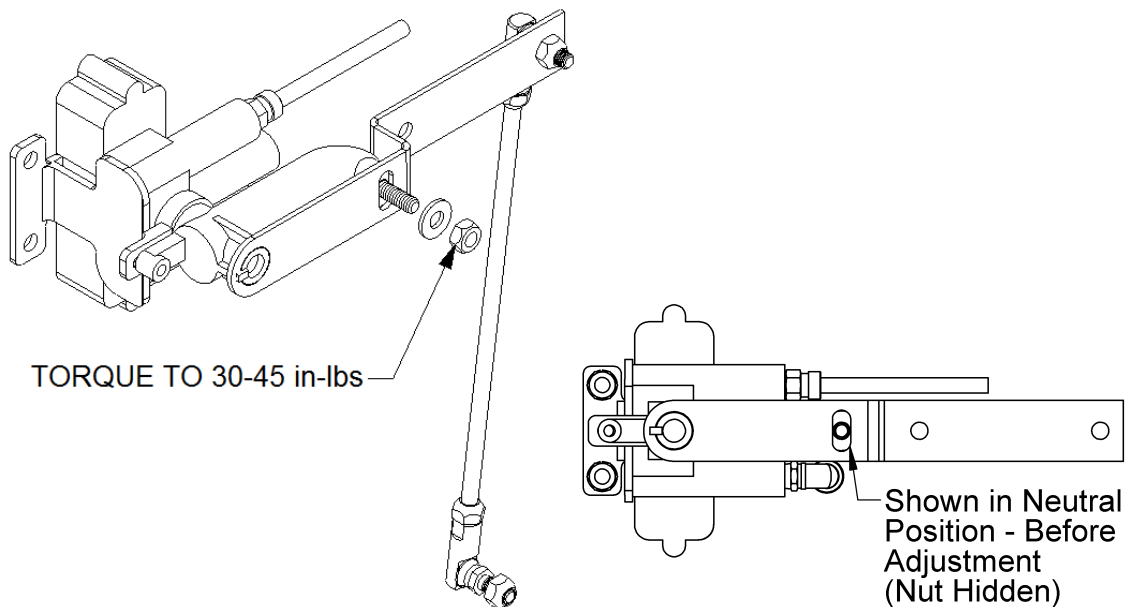


Figure 9: Height Control Valve

INSPECTION & MAINTENANCE

Torque Specifications

Most threaded fasteners are covered by specifications that define required mechanical properties, such as tensile strength, yield strength, proof load, and hardness. These specifications are carefully considered in initial selection of fasteners for a given application. To assure continued satisfactory vehicle performance, replacement fasteners used should be of the correct strength, as well as the correct nominal diameter, thread pitch, length, and finish.

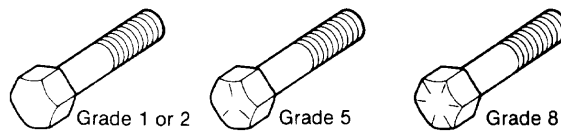


Figure 10: Grade Markings on Bolts



Grade	Lock Nut Grade B, F	Lock Nut: Grade C, G
Identification	 3 Dots	 6 Dots

Figure 11: Grade Markings on Lock Nuts

INSPECTION & MAINTENANCE

Reyco Granning Recommended Torque Specifications

Item	Assembly	Fastener	Torque
1	Spring Beam Pivot Connection	OEM (HEX FLANGE HEAD, M20X1.50X167.00)	250-339 ft-lbs
2	Upper Air Spring Pad & Backing Plate (to Frame)	FHB 1/2-13 x 1.75, Gr. 8 ZN (LFN 1/2-13, Gr. G ZN)	90 ft-lbs
3	Crossmember (to Upper Air Spring Pad)	FHB 3/8-16 x 1.25, Gr. 8 ZN (LFN 3/8-16, Gr. G ZN)	35 ft-lbs
4	Lower Air Spring Pad Asy (to Beam)	HHB 1/2-20 x 3.5 & 4.0, Gr. 8 ZN (LN 1/2-20, Gr. C)	90 ft-lbs
5	Air Spring (to Lower Air Spring Pad Asy)	HHB 1/2-13 x 1.0, Gr. 8 ZN	35 ft-lbs
6	Stud Nut / Air Port Nut (Air Spring)	N 1/2-13, Gr. 5 ZN / JN 3/4-16, Gr. 5 ZN	35 ft-lbs
7	Backing Plate Asy (to Chassis)	FHB 3/8-16 x 1.25, Gr. 8 ZN (LFN 3/8-16, Gr. G ZN)	33 ft-lbs
8	Wear Pad (to Backing Plate Asy)	SFCS 3/8-24 x 1.5 & 2.0, Gr. 8 (LFN 3/8-24, Gr. F ZN)	100 in-lbs
9	Rebound Strap Upper & Lower Mount	1/2-20 x 2.75 & 5.0, Gr. 8 (LN 1/2-20, Gr. C)	90 ft-lbs
10	HCV (to Frame)	HHB 1/4-20 x .75, Gr. 5 ZN (N 1/4-20, Gr. 5 ZN)	8 ft-lbs
11	HCV Linkage (to HCV & Axle Wedge Asy)	(N 1/4-28, Gr. 5 ZN)	10 ft-lbs
12	Tube/Wire Clip (to Backing Plate Asy)	HHB 1/4-20 x .75, Gr. 5 ZN (LN 1/4-20, Gr. 8 ZN)	10 ft-lbs
13	Parking Brake Cable Bracket (to Spring Beam)	HHB 1/4-20 x 4.0, Gr. 8 ZN (LN 1/4-20, Gr. 8 ZN)	9 ft-lbs
14	U-Bolts (See Figure A)	U-BOLT 3/4-16 x 13.25 (HN 3/4-16 Gr. C)	250 ft-lbs
15	*Shock Bolts (See Vehicle Owners)	*OEM	**
16	*Wheels (See Vehicle Owners)	*See Vehicle Owners Manual	**

* Not Shown

**Follow procedures and torques listed in Vehicle Maintenance/Owner's Manual

Note: Torque values listed above apply only if Reyco Granning supplied fasteners are used. For information regarding component replacement or technical service call 1-800-753-1060

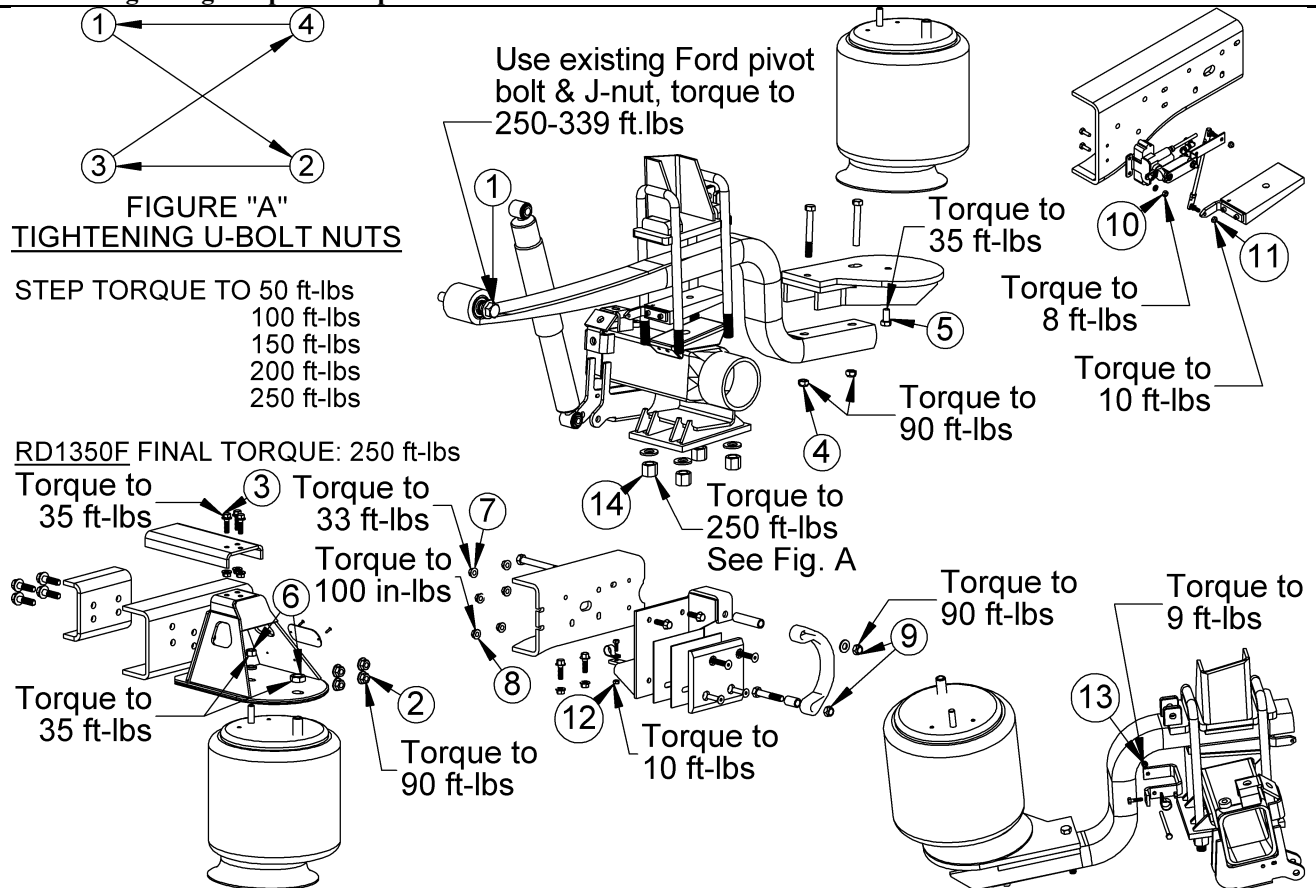


Figure 12: Illustrated torque callouts

INSPECTION & MAINTENANCE

Maintenance Schedule

GENERAL MAINTENANCE	SERVICE TO BE PERFORMED	MILEAGE IN THOUSANDS							
		12	24	36	48	60	72	84	96
Spring Beam Pivot Connection	Check bolt torque.	X			X				X ¹
	Inspect for contact between Spring Beam and Hanger.	X	X	X	X	X	X	X	X ¹
	Inspect for bushing wear.	X	X	X	X	X	X	X	X ¹
Air Springs	Inspect for proper clearance (1" minimum all around).	X							
	Check upper mount nut and lower mount bolt torque.	X							
	Inspect for signs of chafing or wear.	X	X	X	X	X	X	X	X ¹
	Check for air line fitting torque.	X							
	Inspect for air leaks using soapy water solution.	X							
Height Control Valve Linkage	Inspect for signs of bending, binding, or slippage.	X	X	X	X	X	X	X	X ¹
Air Fittings and Air Lines	Inspect for air leaks using soapy water solution	X							
	Inspect for signs of chafing, cracking, or wear	X	X	X	X	X	X	X	X
Shock Absorbers	Check stud mount and lock nut torque.	X							
	Inspect shocks for signs of fluid leak, broken eye ends, loose fasteners, or worn bushings.	X	X	X	X	X	X	X	X ¹
Axle Connection/ U-Bolts ⁴	Check "U" -bolt nut torque ⁴ and gap between wear pad and wear tower.	X	X	X	X	X	X	X	X
Wheels ²	Check lug nut torque ³	X	X	X	X	X	X	X	X
Air Compressor	Check air compressor compartment or enclosure for proper airflow and venting.	X	X	X	X	X	X	X	X
Rear Alignment	Inspect (after first 1000-3000 miles)		X		X		X		X ¹
Air Fittings and Air Lines	Inspect for air leaks using soapy water solution.	X							
	Inspect for signs of chafing, cracking, or wear.	X	X	X	X	X	X	X	X ¹

¹ Continue to perform specified maintenance every 12,000 miles.

² See your vehicle's owner's manual for instructions regarding the maintenance of wheels and tires.

³ Wheel lug nuts must be retightened to proper torque specifications as per the vehicle or chassis manufacturer's Owner Guide.

⁴ U-bolts require an initial re-torque at 1000 miles, then follow regular maintenance schedule in the chart above.

TROUBLE SHOOTING

SYMPTOMS	POSSIBLE CAUSES	REMEDIES
<p>Tires wear out quickly or have uneven tire tread wear. Note: Wear pattern will indicate possible cause(s). Consult tire manufacturer for guidance.</p>	<ol style="list-style-type: none"> 1) Tires have incorrect pressure. 2) Tires out of balance. 3) Incorrect ride height. 4) Incorrect rear axle alignment. 5) Improper (mismatched) tires and wheels. 	<ol style="list-style-type: none"> 1) Put specified air pressure in tires. 2) Balance or replace tires. 3) Adjust ride height to specified setting. 4) Align rear axle to specified thrust angle. 5) Install correct tire and wheel combination.
<p>Vehicle rolls side to side excessively.</p>	<ol style="list-style-type: none"> 1) Shock absorbers worn. 2) Shock eye bushings worn. 3) Axle U-bolts are loose 4) Loose or worn Spring Beam Pivot connection(s). 5) Loose or worn Spring Beam Pivot bushing(s). 6) Check for air leak including the height control valve. 	<ol style="list-style-type: none"> 1) Replace shock absorbers as needed. 2) Check and replace as needed.. 3) Tighten (see previous torque chart) or replace as required 4) Tighten (see previous torque chart) or replace as required 5) Replace as required 6) Check height control valve and replace as required.
<p>Vehicle ride is too harsh and/or suspension contacts stops excessively.</p>	<ol style="list-style-type: none"> 1) Shock absorbers worn. 2) Incorrect ride height. 3) Vehicle overloaded. 4) Air spring supply lines leaking or obstructed. 5) Vehicle system air pressure below specification. 6) Jounce bumper in air spring worn or broken. 7) Air Suspension not turned on. 8) Defective Height Control Valve(s) 9) Height Control Linkage disconnected or damaged 	<ol style="list-style-type: none"> 1) Replace shock absorbers as needed. 2) Adjust ride height to specified setting. 3) Check wheel loads and correct as needed. 4) Check air line connections and remove obstructions. 5) Check air pressure and correct as needed. 6) Check and replace air spring as required. 7) Turn on air suspension. 8) Replace height control valve as required. 9) Reattach or replace as required.
<p>Vehicle ride is too soft.</p>	<ol style="list-style-type: none"> 1) Shock absorbers worn. 2) Incorrect ride height. 	<ol style="list-style-type: none"> 1) Replace shock absorbers as needed. 2) Adjust ride height to specified setting.

TROUBLE SHOOTING

SYMPTOMS	POSSIBLE CAUSES	REMEDIES
Suspension does not maintain ride height.	1) Air leak. 2) Internal leak in height control valve. 3) Height control valve linkage loose. 4) Air spring chafed or worn.	1) Check connections with soapy water solution and repair or replace as needed. 2) Check height control valve and replace as required. 3) Check and tighten linkage as needed. 4) Check air spring and replace as needed.
Air compressor runs excessively	1) Air leak. 2) Internal air leak in height control valve. 3) Moisture ejector valve stuck open. 4) Check valve installed incorrectly. 5) Dump valve(s), or "kneeler(s)", leaking. 6) Height Control Valve stuck in the exhaust position.	1) Inspect all air lines, fittings, and air springs with a soapy water solution. Repair, retighten, or replace as required. Note: Plastic air lines must be cut square. See Air Control System Parts List (General Notes) for additional notes. 2) Insert exhaust tube into a cup of water and examine for bubbles. This will show evidence of both inlet and exhaust valve leaks. 3) Replace components. 4) Check and replace if necessary. Arrow should point away from the air compressor head. Correct if necessary. 5) Check and replace if necessary. 6) Locate obstruction and remove or relocate interference.
Air compressor will not start	1) Inline fuse burnt or circuit breaker tripped. 2) Air compressor motor burnt out. 3) Disconnected or broken wire. 4) Ignition switch and/or suspension power switch not on.	1) Replace or reset. 2) Inspect and replace as required. 3) Inspect and correct or replace if necessary. 4) Turn on ignition switch and/or suspension switch.

REPLACEMENT INSTRUCTIONS & WARRANTY

R-SERIES

Replacement Instructions

NOTE: Due to the nature of service to be performed it is recommended that a qualified mechanic do the work.



Limited Warranty

ReycoGranning® warrants its R-Series suspensions to be free from defects in material and workmanship under normal use and service in the U.S. and Canada.

Main Structural Components -- 24 months or 50,000 miles, whichever occurs first. Defined as: hangers, beams, clip plates and axle saddles.

Other Air Suspension Components -- 12 months or 24,000 miles, whichever occurs first - valves, fasteners, bushings, and other components not stated specifically (when provided by ReycoGranning®), and other fabricated metal components. ReycoGranning® provides no warranties on components such as axles, air springs, controls, air compressors, brakes, shock absorbers, and hub and drum assemblies, except to the extent of any warranty provided to ReycoGranning® Suspensions by the manufacturer of such components.

Labor -- 6 months or 12,000 miles whichever comes first. Labor will be allowed on ReycoGranning® Suspensions estimated time to make repairs at a maximum rate of \$50.00 per hour. As used herein, the term "normal use and service" means that the suspension will be installed, operated, inspected and maintained in accordance with the applicable ReycoGranning® Suspensions owner's manual, and any applicable vehicle owner's manual or instructions.

Adjustments

The starting date for the above warranty period is the date of purchase of the suspension by the first end user. Proof of such date is the responsibility of the first end user. If the purchase date is not established to ReycoGranning® Suspensions satisfaction, the date of manufacture determined from the suspension system's serial number shall be used as the effective starting date. When adjustment is sought under this warranty, a claim should be made by contacting the distributor or manufacturer who installed the suspension, who will coordinate the fix, documentation, parts shipment, etc. directly with ReycoGranning® Suspensions.

***NOTE* ReycoGranning® Suspensions must be notified in writing using a warranty claim form promptly upon claimed defect.**

INSTALLER AND END USER RESPONSIBILITIES

The Distributor/Installer is responsible for installing the product according to ReycoGranning® Suspensions approved procedures, the installer is also responsible (either directly or through its agent/dealer) for providing a copy of ReycoGranning® Suspensions warranty and owner's manual to the end user, and for advising the end user of proper use, service and maintenance required for the product. The end user is responsible for operating, inspecting and maintaining the suspension according to the instructions in the ReycoGranning® Suspensions owner's manual and any applicable vehicle owner's manual, and for properly instructing all operators and maintenance personnel.

***NOTE* Warranty may be denied for improper installation.**

LIMITATIONS AND EXCLUSIONS

No warranty applies in the event of: use of components, parts and/or accessories not obtained from or approved by ReycoGranning® Suspensions or which do not meet ReycoGranning® Suspensions quality and performance specifications; improper installation, maintenance or repair; misuse or abuse including but not limited to overloading; or unauthorized alterations or modifications.

THE ABOVE WARRANTIES ARE SUBJECT TO THE "WARRANTY LIMITATIONS" AND "REMEDIES" SECTIONS OR REYCOGRANNING® SUSPENSIONS INVOICE TERMS AND CONDITIONS.

This policy supersedes any previous warranty statements.

03/2005



1205 Industrial Park Drive
Mount Vernon, Missouri USA 65712
Tel (417) 466-2178 Fax (417) 466-3964
www.reycogranning.com

3216 Olympia Drive, Suites C & D
Lafayette, Indiana USA 47909
Tel (765) 838-0361 Fax (765) 838-1694
www.reycogranning.com

Blank Page

Reyco[®]
Granning[®]
S U S P E N S I O N S

1-800-753-0050

www.reycogranning.com

Mount Vernon
1205 Industrial Park Drive
Mount Vernon, MO 65712
(800) 753.0050, Fax 833.896.6997