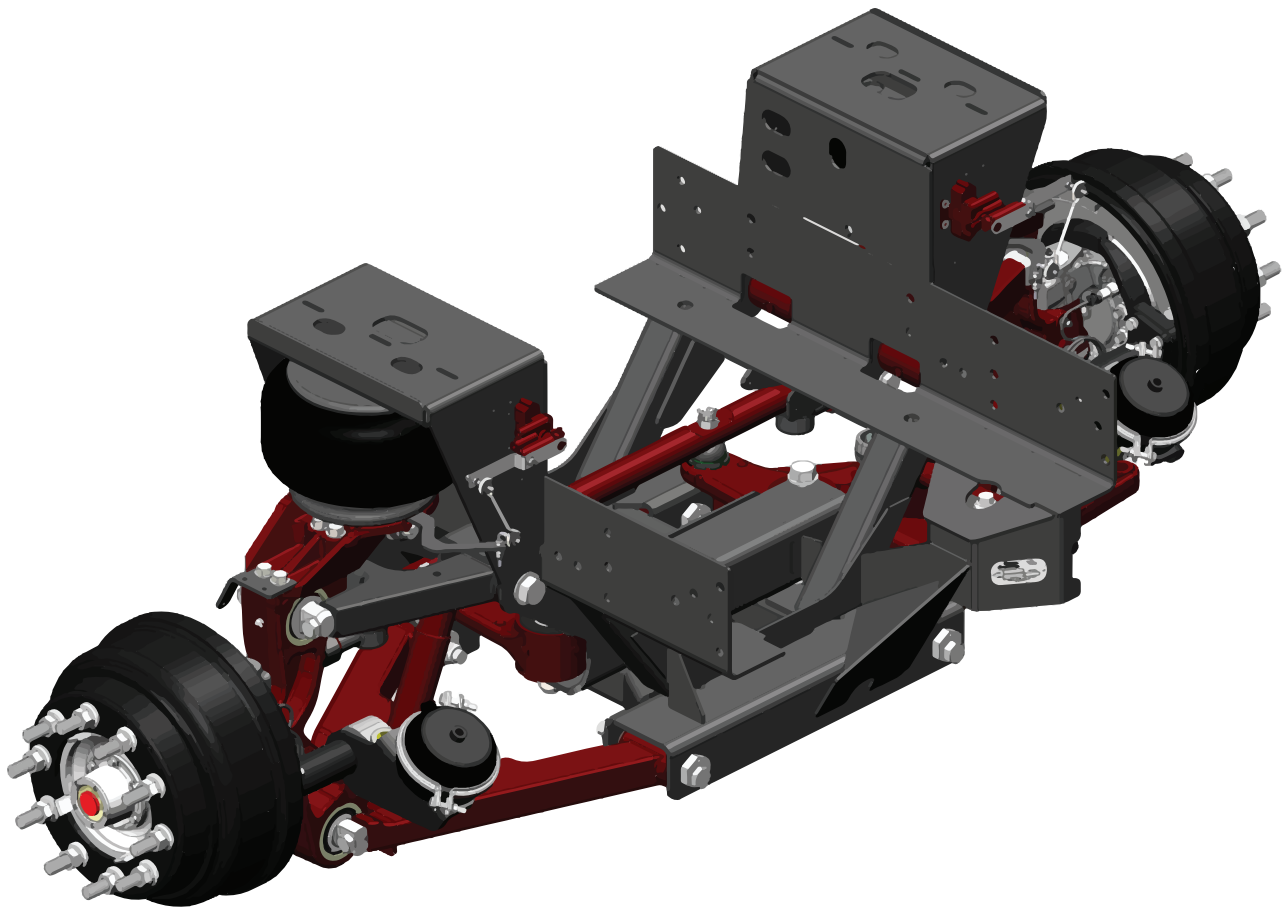


**IFS1460S2** | Independent Front Suspension

Maintenance Instructions  
Service Parts



Reyco Granning Suspensions  
1205 Industrial Park Drive  
Mount Vernon, MO 65712  
Phone: 417.466.2178  
Fax: 833.896.6997  
[www.reycogranning.com](http://www.reycogranning.com)

Document #: D705947  
Revision: K  
Revision Date: 05/2012





# Table of Contents

---

<b>Introduction .....</b>	<b>4</b>
Service Notes.....	4
Identification.....	5
Vehicle Towing Information.....	6
Maintenance Schedule.....	7
Maintenance Record.....	8
<b>Parts Lists .....</b>	<b>9</b>
Unit Assembly.....	9
Control Arm Components .....	10
Control Arm Assemblies.....	11
Steering Components .....	12
Air Spring and Shock Components.....	14
HCV Components .....	15
HCV Components (IFS1460S2-HC only) .....	16
Sway Bar Components (-SB models only) .....	17
Wheel End Components (Drum).....	18
Wheel End Components (Disc).....	19
King Pin Components .....	20
Steering Knuckle Carrier Components .....	21
<b>Lubrication .....</b>	<b>22</b>
Lubricant Specifications and Intervals.....	22
General Lubrication.....	22
Ball Joints .....	22
Ball Studs on Tie Rods, Crank Rod, and Drag Link.....	22
Brake S-Cam Tube and Automatic Slack Adjuster.....	23
Carrier Bearing and Kingpin.....	23
Wheel Bearings .....	24
<b>Troubleshooting.....</b>	<b>25</b>
<b>Inspection .....</b>	<b>29</b>
General Inspection.....	29
Inspecting the Control Arm Bushings for Wear .....	29
Inspecting the Tie Rod Ends .....	30
Inspecting the Automatic Slack Adjusters and Brake System.....	30
Automatic Slack Adjusters .....	30
Brake System .....	31
Inspecting the ABS Sensor and Tone Ring.....	31
Inspecting the Shock Absorber .....	31
Inspecting the Air Spring and Height Control Valve.....	32

# Table of Contents

---

Air Spring Inspection .....	32
Height Control Valve Inspection .....	32
Inspecting the Steering Arm Bearings .....	32
Inspecting the Steering Arm Ball Joints.....	33
Seal Inspection .....	33
Endplay Inspection.....	33
Inspecting Wheel Bearing Endplay.....	33
Inspecting the Knuckle Carrier Bearing and Seal .....	34
Inspecting the Kingpin Vertical Endplay.....	34
<b>Adjustments .....</b>	<b>35</b>
Adjusting Suspension Ride Height .....	35
Adjusting Wheel Bearing Endplay.....	36
Adjusting the Maximum Wheel Turn Angle .....	38
Inspection Before Alignment .....	39
Wheels and Tires.....	39
Front Suspension.....	39
Rear Axle and Suspension .....	40
Front Wheel Alignment.....	40
Equipment.....	40
General.....	40
Preparation .....	40
Adjusting the Camber Angle.....	41
Eccentric Camber Adjustment .....	41
Bar Pin Camber Adjustment .....	42
Adjusting the Caster Angle .....	43
Eccentric Caster Adjustment.....	44
Adjusting the Toe-In .....	45
<b>Repair .....</b>	<b>46</b>
General Procedures.....	46
Cleaning the Parts.....	46
Ground or Polished Parts .....	46
Rough Parts .....	47
Drying .....	47
Preventing Corrosion .....	47
Replacing Tie Rod Ends.....	47
Removal .....	47
Installation.....	47
Replacing the Steering Arm Ball Joints .....	48
Removal .....	48
Installation.....	48
Replacing the Bell Crank, Idler, and Crank Steering Arm Bearings .....	48
Removal .....	49

# Table of Contents

---

Installation.....	49
Replacing the Upper and Lower Control Arm Bushings.....	49
Upper Control Arm Removal.....	50
Upper Control Arm Installation.....	50
Lower Control Arm Removal.....	51
Lower Control Arm Installation.....	51
Replacing Wheel Bearings, Oil Seals, and Hub Caps.....	52
Removal.....	52
Installation.....	53
Replacing Brake Components.....	54
Brake Drums.....	54
Automatic Slack Adjuster.....	54
Brake Chambers.....	55
Other Brake Components.....	55
Replacing the ABS Sensor and Tone Ring.....	55
Sensor Removal.....	55
Sensor Installation.....	55
Tone Ring Removal and Installation.....	55
Replacing the Shock Absorber.....	56
Removal.....	56
Installation.....	56
Replacing the Air Spring.....	56
Removal.....	56
Installation.....	56
Replacing the Height Control Valve.....	57
Removal.....	57
Installation.....	57
Replacing the Sway Bar and Components.....	57
Vertical Linkage Removal.....	57
Vertical Linkage Installation.....	57
Sway Bar Removal.....	57
Sway Bar Installation.....	58
Replacing the Steering Knuckle Carrier Bearings.....	58
Removal.....	58
Installation.....	59
<b>Torque Tables.....</b>	<b>61</b>

# Introduction

---

## Service Notes

This Service Manual describes the correct service and repair procedures for the ReycoGranning® IFS1460S2 Independent Front Suspension model with 14,600 lbs. Gross Axle Weight Rating (GAWR). Overloading the suspension may result in adverse ride and handling characteristics.

You must read and understand all procedures and safety precautions presented in this manual before conducting any service work on the suspension.

Proper tools must be used to perform the maintenance and repair procedures in this manual. Some procedures require the use of special tools for safe and correct service. Failure to use the proper and/or special tools when required can cause personal injury and/or damage to suspension components.

You must follow your company safety procedures and use proper safety equipment when you service or repair the suspension.

The information contained in this manual was current at the time of printing and is subject to change without notice or liability. Reyco Granning LLC reserves the right to modify the suspension and/or procedures and to change specifications at any time without notice and without incurring obligation.

Reyco Granning LLC uses the following types of notices for potential safety problems and to give information that will prevent damage to equipment.

 <b>WARNING</b>
--

<b>A warning indicates procedures that must be followed exactly. Serious personal injury can occur if the procedure is not followed.</b>
--

 <b>CAUTION</b>
--

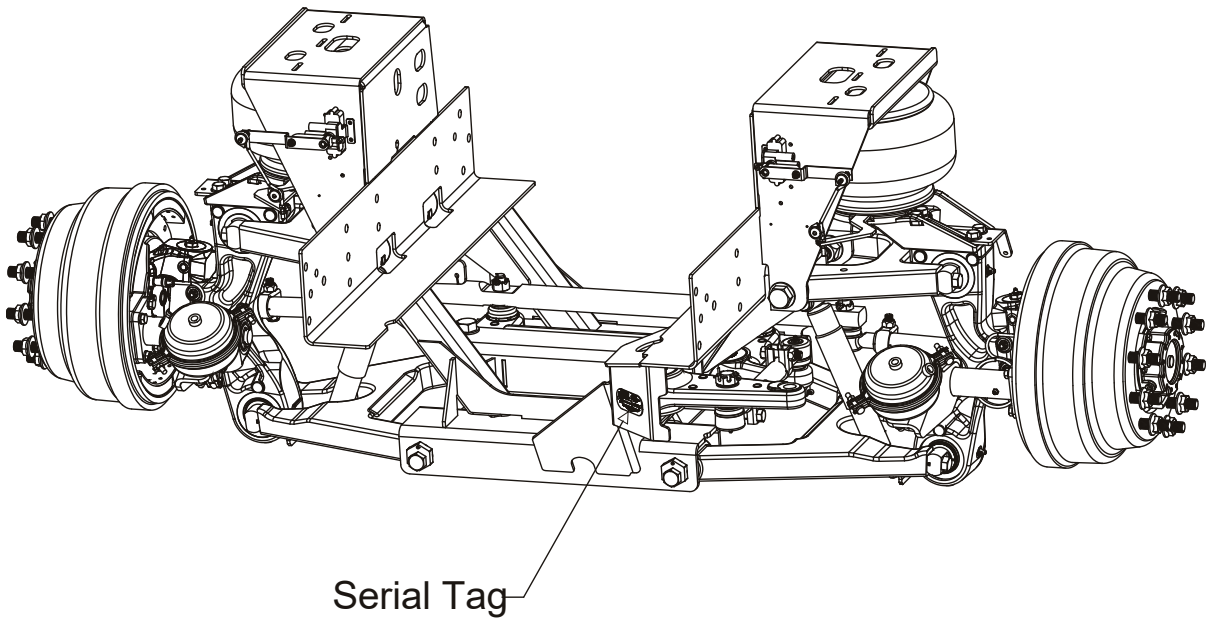
<b>A caution indicates procedures that must be followed exactly. Damage to equipment or suspension components and personal injury can occur if the procedure is not followed.</b>
---

<b>NOTE</b>
-------------

<b>A note indicates an operation, procedure or instruction that is important for correct service.</b>
---

## Identification

The suspension model and serial number are stamped on an aluminum tag that is riveted to the front of the suspension sub-frame assembly (**Figure 1**). The serial number is used by Reyco Granning LLC for control purposes and should be referred to when servicing the suspension or requesting technical support (**Figure 2**).



**Figure 1 - Suspension Identification Location**

**Figure 2 - Suspension Serial Number Tag**

Model	GAWR (lb)	Wheel Cut	Sway Bar	Elec. HCV	Disc Brakes	Drum Brakes
IFS1460S2	14,600	55°				X
IFS1460S2-HC	14,600	55°		X		X
IFS1460S2-SB	14,600	55°	X			X
IFS1460S2-T	14,600	55°	X			X
IFS1460S2-D	14,600	55°			X	
IFS1460S2-DSB	14,600	55°	X		X	

Model Identification Table

---

## Vehicle Towing Information

If a vehicle is disabled and needs to be towed by the front end to service center, check the OEM/Coach Builder towing procedures for the recommended method. Check with local authorities and Department of Transportation (DOT) for permissible towing methods before towing. Some states do not permit towing by chains and/or straps.

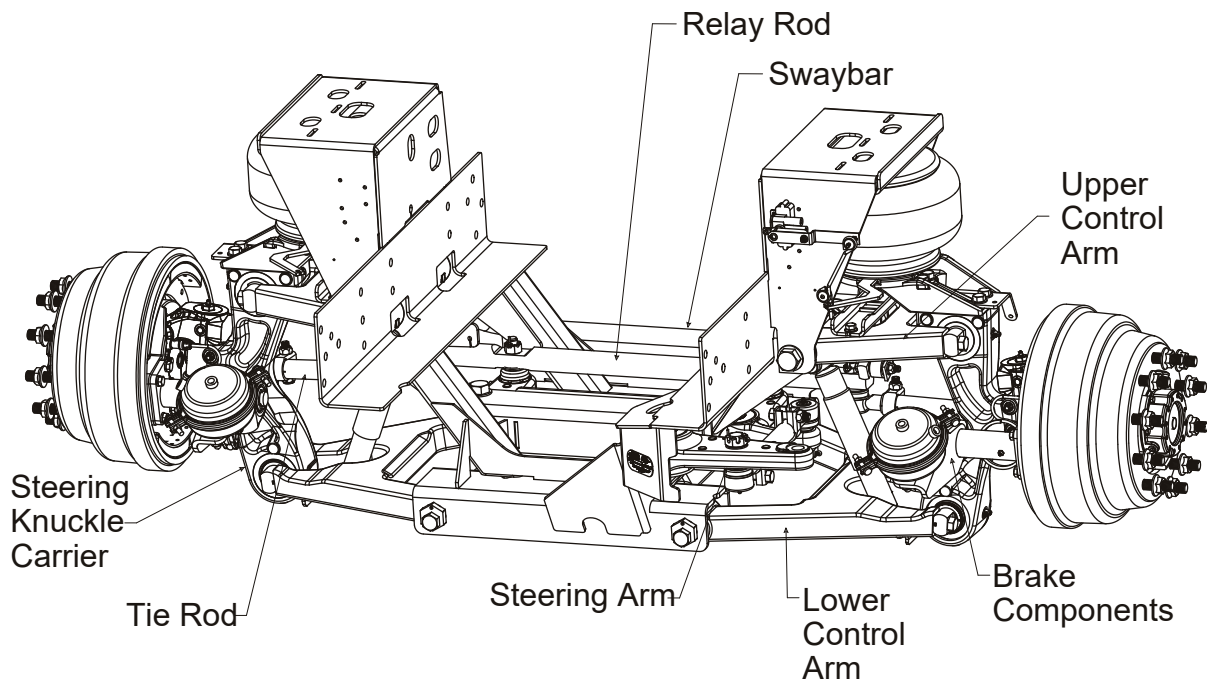
The preferred towing apparatus is the type that cradles the front tires. If the towing apparatus cannot be attached to the front tires or directly to the chassis frame rails, then the suspension sub-frame may be used for attachment.

### WARNING

Attaching towing equipment to improper locations and failure to utilize OEM/Coach Builder recommended towing methods could result in one or more of the following:

- **Loss of vehicle control.**
- **Possible disconnection from tow vehicle.**
- **Damage to the suspension and/or vehicle.**

**Do Not** attach tow apparatus (hooks, chains, straps, etc.) to suspension upper and lower control arms, sway bar and brackets, brake components, relay rod, tie rods, steering arms, or steering knuckle carrier assemblies (**Figure 3**).



**Figure 3 – Improper Tow Equipment Attachment Locations**

# Maintenance Schedule

GENERAL MAINTENANCE	SERVICE TO BE PERFORMED	MILEAGE IN THOUSANDS							
		12	24	36	48	60	72	84	96
Steering Arm Ball Joints	Check axial endplay				X				X <sup>2</sup>
	Inspect for ruptured seals	X	X	X	X	X	X	X	X <sup>2</sup>
	Check that cotter pin is installed	X	X	X	X	X	X	X	X <sup>2</sup>
Control Arm Bushings	Check bolt torque				X				X <sup>2</sup>
	Inspect for contact between control arm and mount	X	X	X	X	X	X	X	X <sup>2</sup>
	Inspect for bushing wear	X	X	X	X	X	X	X	X <sup>2</sup>
Tie Rod Ends	Inspect ball socket endplay	X	X	X	X	X	X	X	X <sup>2</sup>
	Check for looseness of taper connection	X	X	X	X	X	X	X	X <sup>2</sup>
	Check that cotter pin is installed	X	X	X	X	X	X	X	X <sup>2</sup>
Brake System	Inspect slack adjuster for correct stroke	X	X	X	X	X	X	X	X <sup>2</sup>
	Inspect for air leaks using soapy water solution	X							
Air Springs	Inspect for proper clearance (1" minimum all around)	X							
	Check upper mount nut and lower mount bolt torque	X							
	Inspect for signs of chafing or wear	X	X	X	X	X	X	X	X <sup>2</sup>
	Inspect for air leaks using soapy water solution	X							
Height Control Valve and Linkage	Inspect for signs of bending, binding, or slippage	X	X	X	X	X	X	X	X <sup>2</sup>
	Inspect for air leaks using soapy water solution	X							
Shock Absorbers	Check mounting nut torque	X							
	Inspect shocks for signs of fluid leak, broken eye ends, loose fasteners, or worn bushings	X	X	X	X	X	X	X	X <sup>2</sup>
Kingspins	Check for wear				X				X <sup>2</sup>
	Inspect vertical endplay				X				X <sup>2</sup>
Steering Arm Bearings	Check nut torque				X				X <sup>2</sup>
	Inspect bearings for excessive radial play	X	X	X	X	X	X	X	X <sup>2</sup>
Carrier Bearings	Check axial endplay								X <sup>2</sup>
Wheels	Check bearing endplay				X				X <sup>2</sup>
	Check wheel nut torque <sup>1</sup>	X	X	X	X	X	X	X	X <sup>2</sup>
Front Alignment	Inspect toe-in <sup>3</sup>		X		X		X		X <sup>2</sup>
Air Fittings and Air Lines	Inspect for air leaks using soapy water solution	X							
	Inspect for signs of chafing, cracking, or wear	X	X	X	X	X	X	X	X <sup>2</sup>
Sway Bar Bushings	Check mounting bolt torque				X				X <sup>2</sup>
	Inspect for bushing wear	X	X	X	X	X	X	X	X <sup>2</sup>

1. Wheel nuts must be re-tightened to proper torque specifications as per the vehicle or chassis manufacturer's Owner Guide.

2. Continue to perform specified maintenance every 12,000 miles or at previous interval.

3. Final stage manufacturer should complete toe-in inspection and adjustment after completion of vehicle.

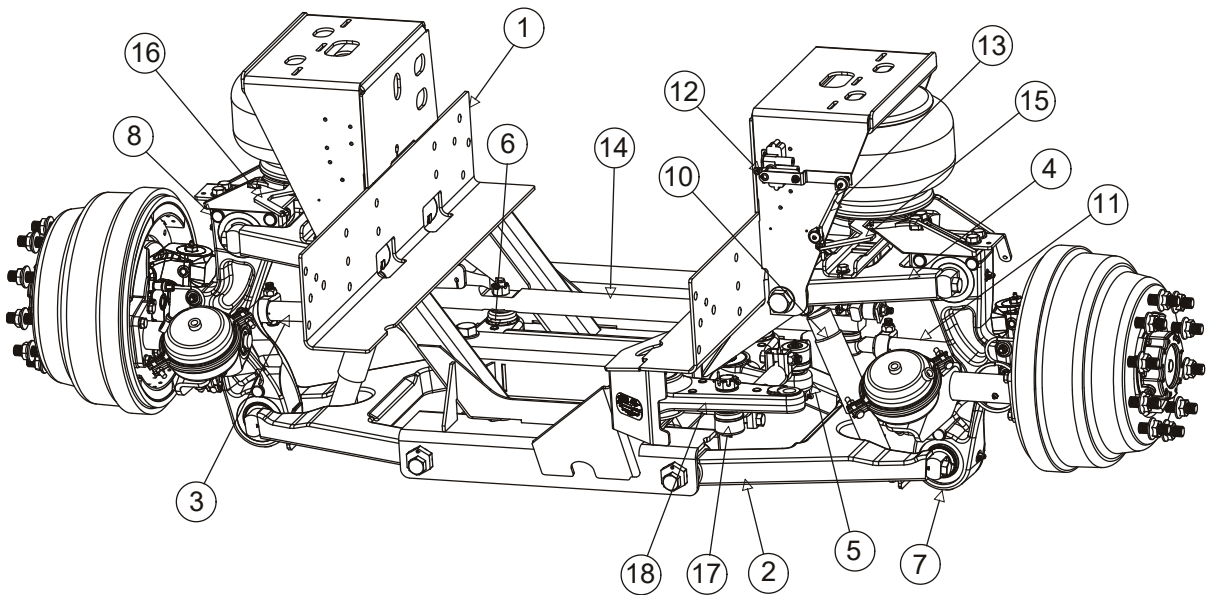




## Unit Assembly

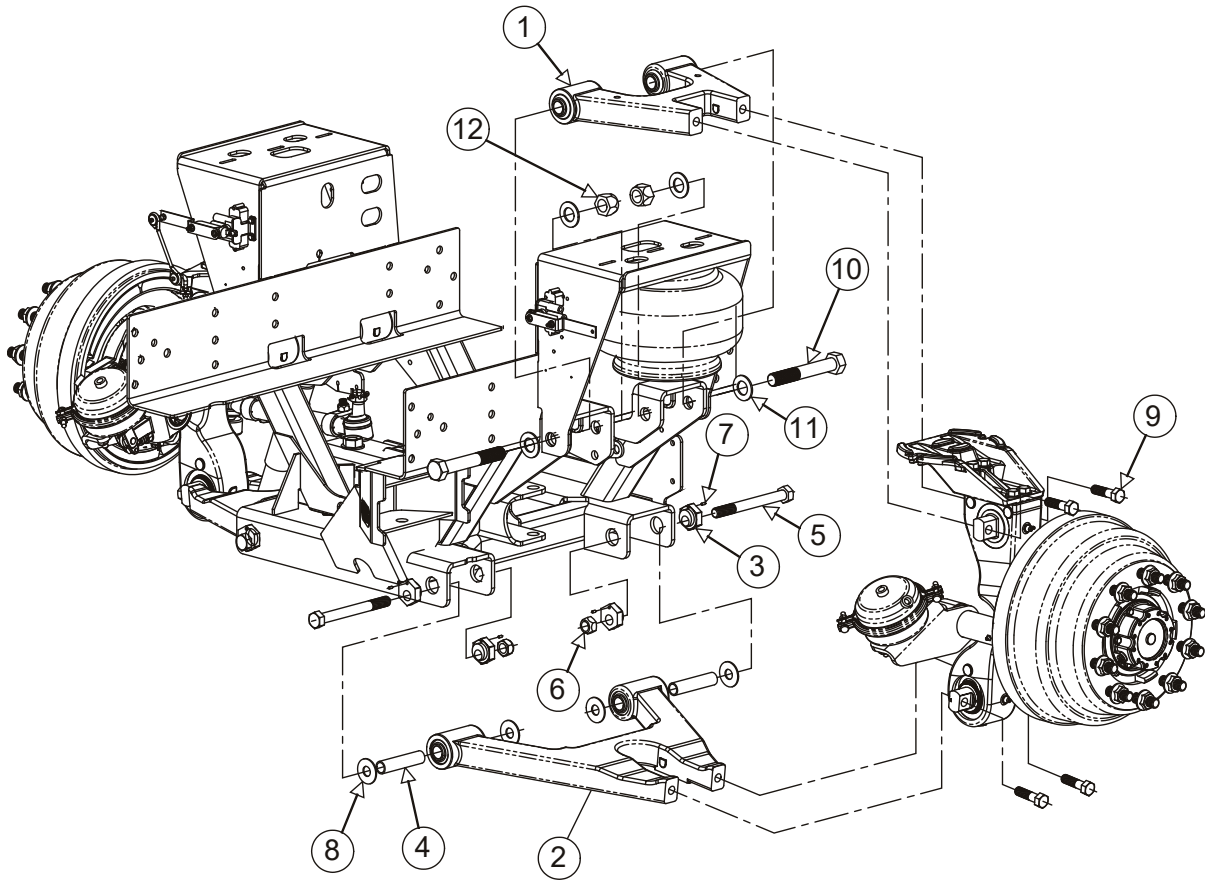
Item	Part No.	Description	Item	Part No.	Description
1	705646-01	Cradle Assembly	11	700973-01	Tie Rod Assembly, LH
2	700944-01	Lower Control Arm Assembly	12	5608	HCV Assembly
3	700973-02	Tie Rod Assembly, RH		705378-01	HCV Assembly, Electric*
4	703182-01	Upper Control Arm Assembly	13	703915-01	HCV Linkage Assembly
5	705619-01	Bell Crank Assembly, LH	14	702030-01	Relay Rod
6	705620-01	Idler Arm Assembly	15	705800-01	Height Control Valve Arm, LH
7	705665-01	Carrier Assembly, LH	16	705800-02	Height Control Valve Arm, RH
8	705665-02	Carrier Assembly, RH	17	700973-05	Crank Rod Assembly
9	705951-01	Air Spring Assembly	18	705619-01	Crank Arm Assembly
10	700178-06	Shock Absorber			

\* Used in IFS1460S2-HC



# Control Arm Components

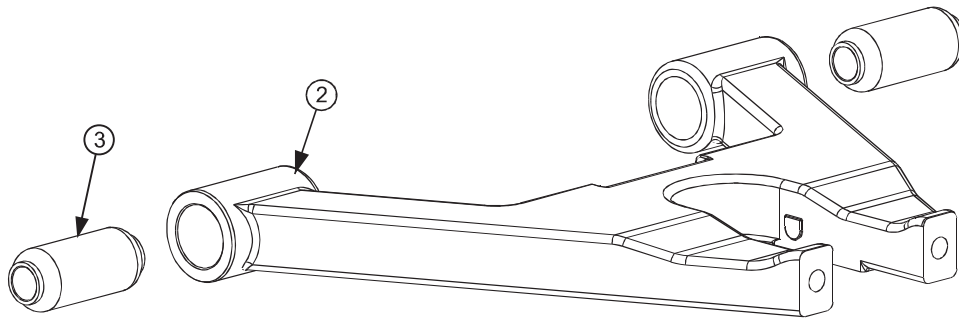
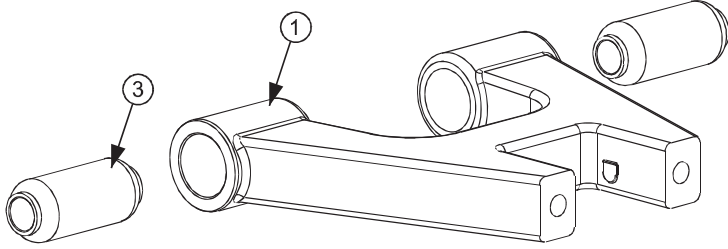
Item	Part No.	Description	Item	Part No.	Description
1	703182-01	Assembly, Upper Control Arm	7	293	Socket Set Screw 10-24 x .38"
2	700944-01	Assembly, Lower Control Arm	8	701683-04	Hardened Flat Washer, 7/8"
3	700245-01	Boss, Eccentric	9	100039-P1	Hex Head Bolt 3/4-10 x 2.75, Gr. 8, Zn
4	8490	Spacer	10	702516-02	Hex Head Bolt 1 1/8-12 x 7.75, Gr. 8, ZY
5	292	Hex Head Bolt 7/8-9 x 8.50, Gr. 8, ZN	11	168	Hardened Flat Washer, 1 1/8"
6	100122-P1	Lock Nut 7/8-9", Gr. C	12	166	Lock Nut 1 1/8-12, Gr. C



---

# Control Arm Assemblies

Item	Part No.	Description	Item	Part No.	Description
1	703181-01	Upper Control Arm, LH & RH	3	8382	Bushing
2	700939-01	Lower Control Arm, LH & RH			

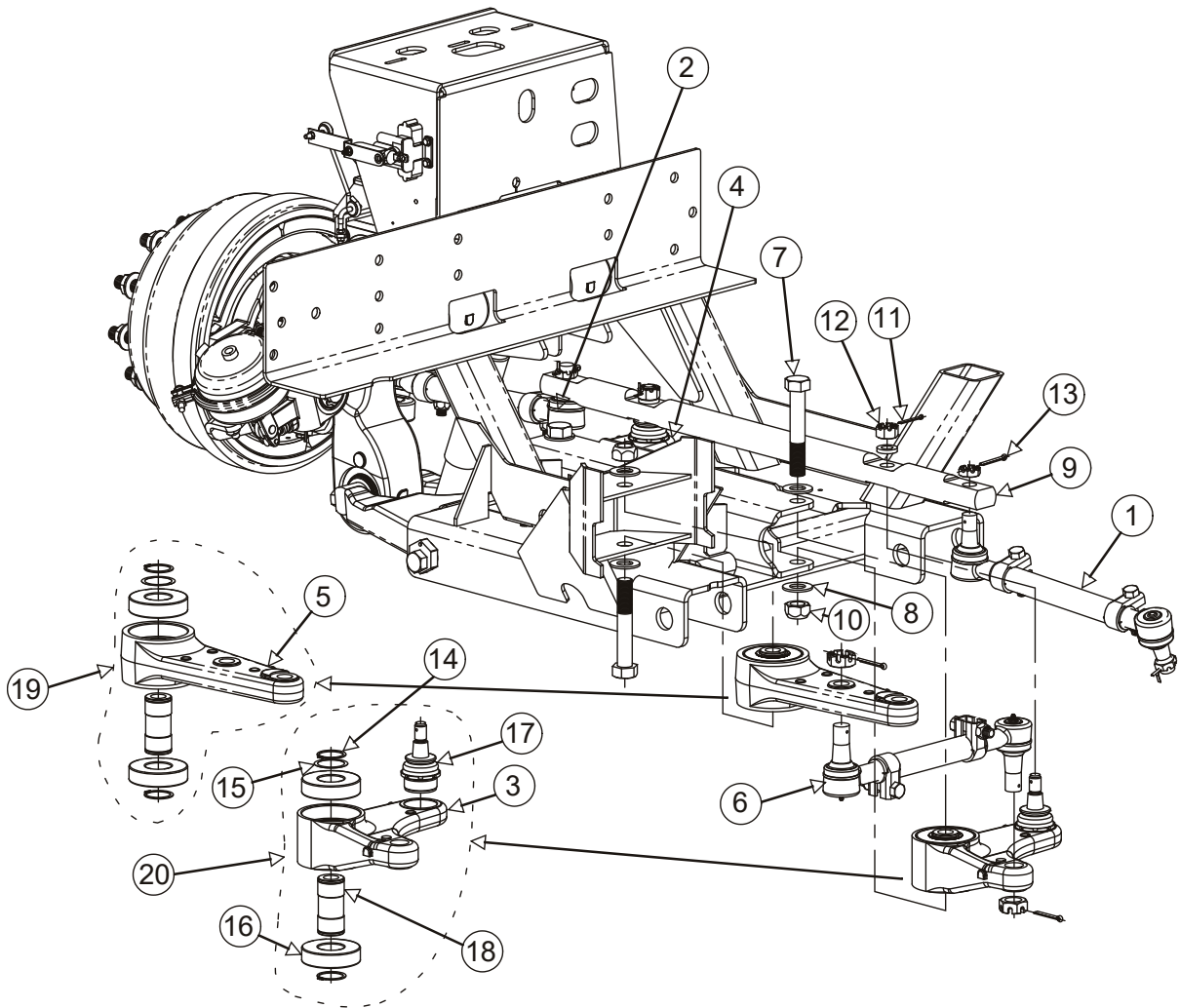


# Steering Components

Item	Part No.	Description	Item	Part No.	Description
1	700973-01	Tie Rod Assembly, LH	11	705382-02	Slotted Nut, M20x1.5**
2	700973-02	Tie Rod Assembly, RH	12	705382-03	Cotter Pin, 1.40 x .15 Dia.**
3	700975-01	Bell Crank	13	101445-P1	Cotter Pin- 1/8 X 1 1/2
4	705620-01	Idler Arm Assembly	14	6966	Snap Ring*
5	701925-01	Crank Arm	15	8654	Shim*
6	700973-05	Crank Rod Assembly	16	701378-01	Bearing*
7	167	Hex Head Bolt 1-14 x 6", Gr. 8	17	705382-01	Ball Joint (40mm)**
8	2571	Hardened Flat Washer 1"	18	7348	Spacer*
9	702030-01	Relay Rod	19	701924-01	Crank Arm Assembly
10	89422312	Lock Nut 1", Gr. C	20	705619-01	Bell Crank Assembly

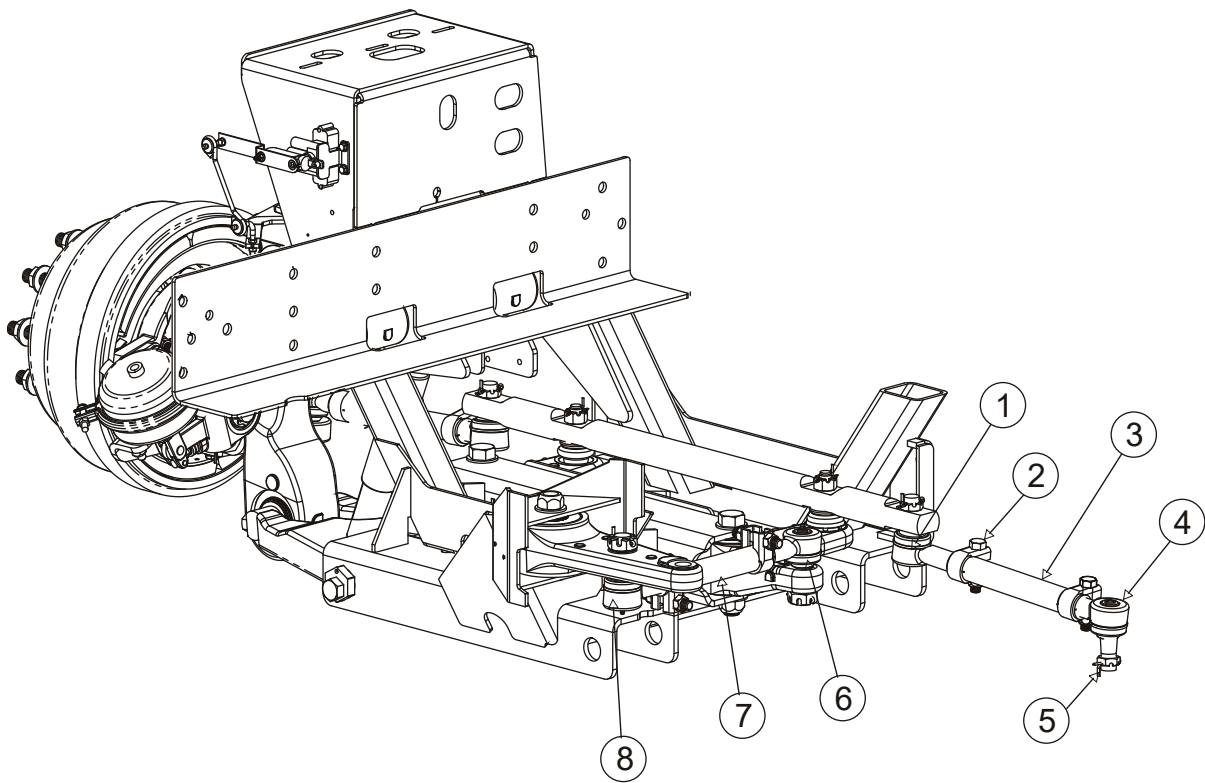
\*Components are the same in Bell Crank, Idler Arm and Crank Arm

\*\*Components of Ball Joint Kit K705382.



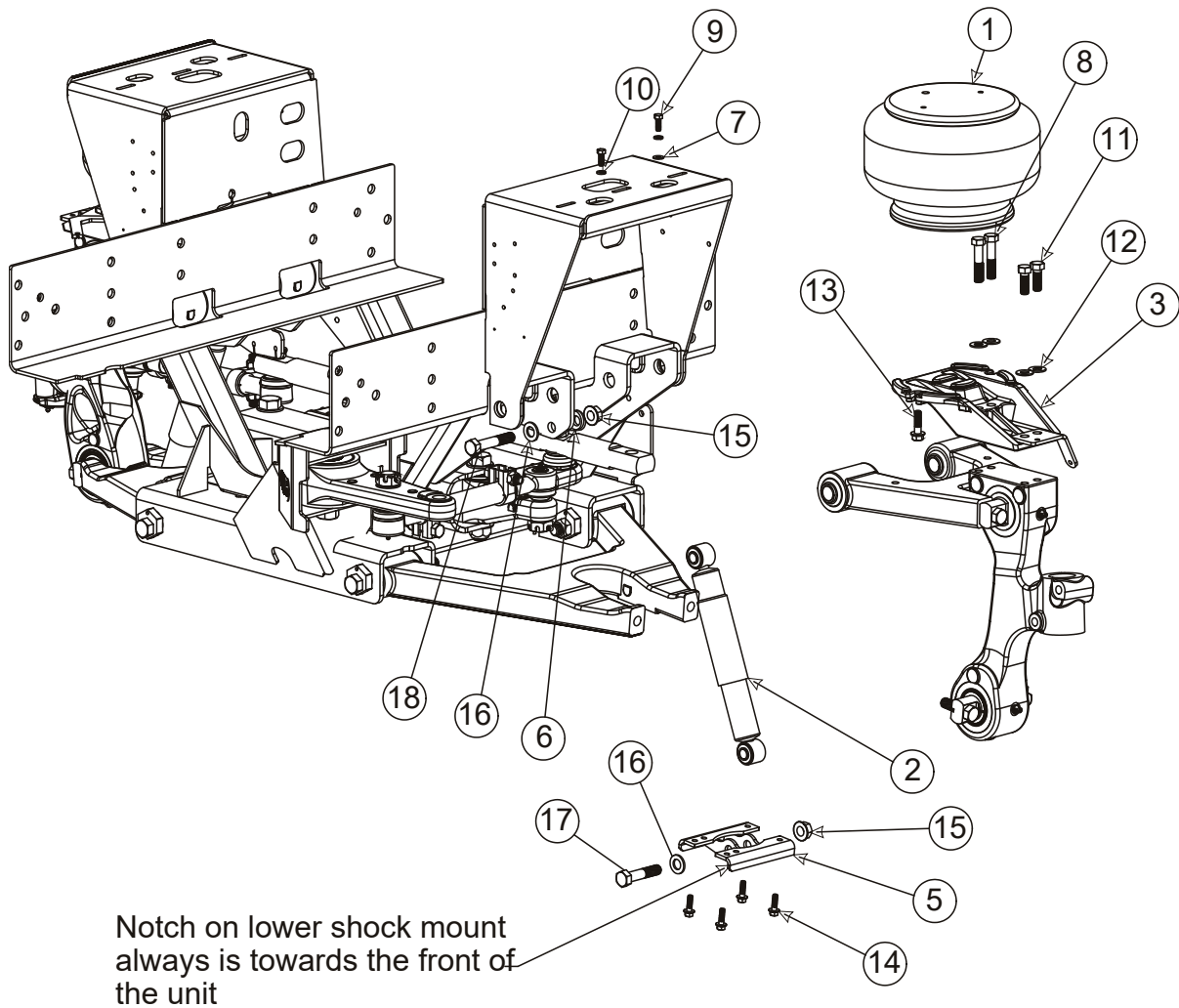
# Tie Rod Assemblies

Item	Part No.	Description	Item	Part No.	Description
1	103712	Tie Rod End, RH	6	<del>705824-01</del>	Tie Rod End, LH Superseded by 710671-01
2	6632	Clamp		710671-01	Tie Rod End, LH
3	700971-01	Tube, Tie Rod	7	700971-02	Tube, Link
4	103736	Tie Rod End, LH	8	<del>705824-02</del>	Tie Rod End, RH Superseded by 710671-02
5	101445-P1	Cotter Pin		710671-02	Tie Rod End, RH



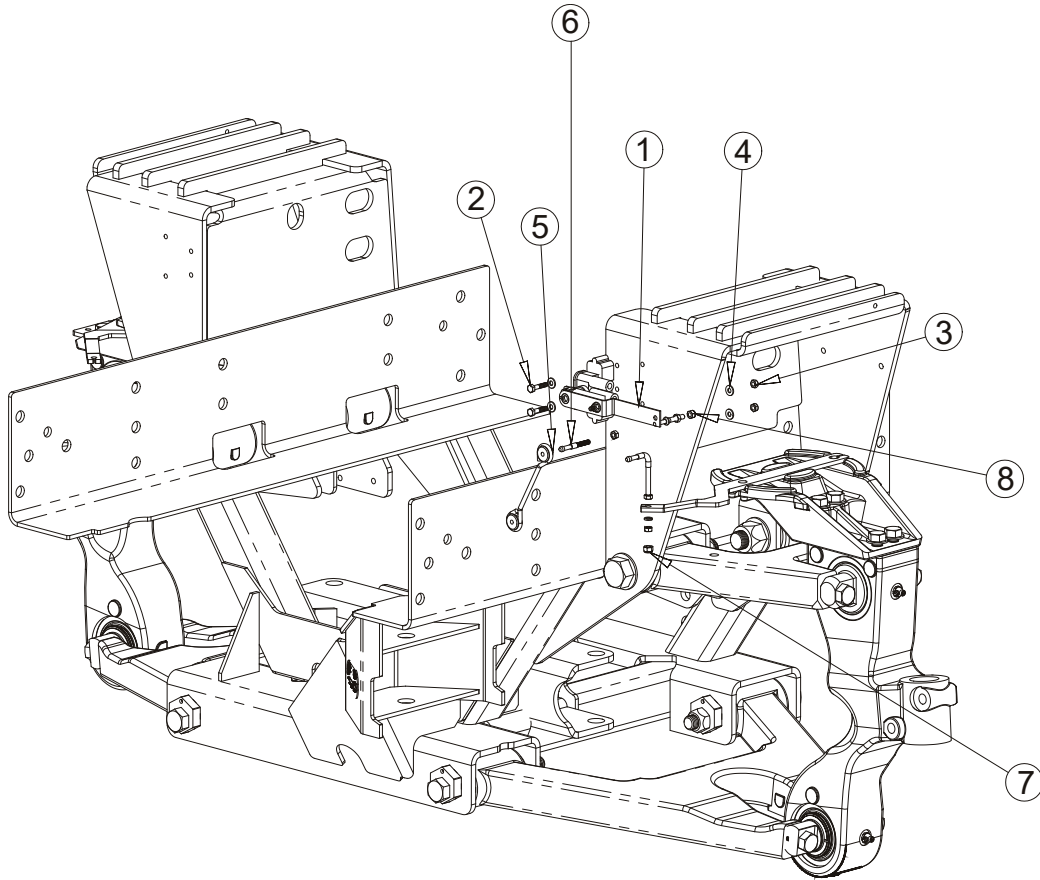
# Air Spring and Shock Components

Item	Part No.	Description	Item	Part No.	Description
1	705951-01	Air Spring Assembly	10	8120382	SLW 3/8"
2	700178-06	Assembly, Shock	11	700184-04	HHB 5/8-18 x 1.75, Gr. 8, ZN
3	705692-01	Lower Air Spring Mount, LH	12	89422850	HFV 5/8"
4	705692-02	Lower Air Spring Mount, RH	13	276	FHB 1/2-13 x 1.75, Gr. 8, ZN
5	707357-01	Lower Shock Mount	14	302	FHB 3/8-16 x 1.25" Gr. 8 ZN
6	152	HFV 3/4"	15	208	LFN 3/4-10, Gr. G, ZN
7	263	HFV 3/8"	16	8131017	FW 3/4"
8	149	HHB 5/8-18 x 3.0, Gr. 8, ZN	17	100678-P1	HHB 3/4-10 x 3.5, Gr. 8, ZN
9	100263-P1	HHB 3/8-16 x 1, Gr. 8, ZN	18	100727-P1	HHB 3/4-10 x 4.0, Gr. 8, ZN



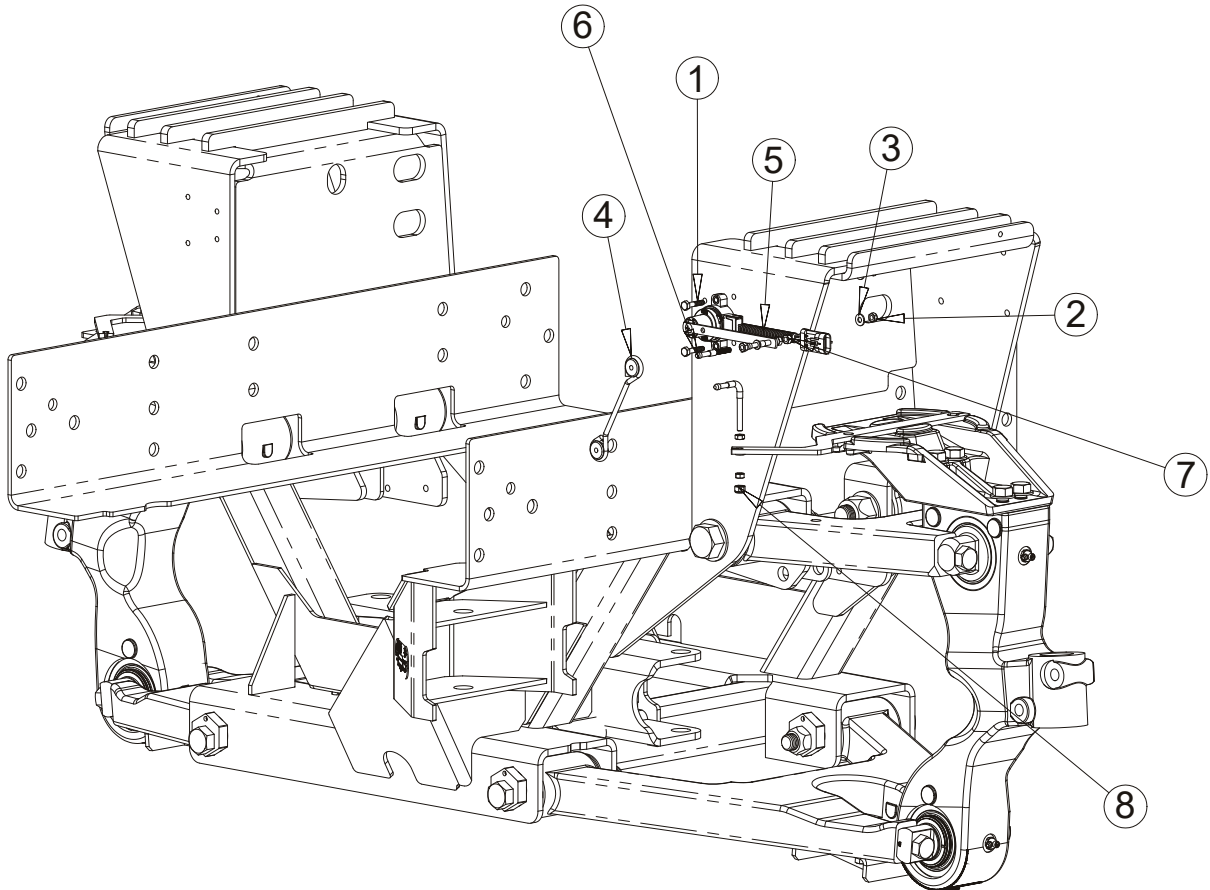
# HCV Components

Item	Part No.	Description	Item	Part No.	Description
1	5608	HCV, Standard	5	703915-01	Assembly, Linkage
2	702606-02	HHB 1/4-20 x 1.25", Gr. 8, ZN	6	705932-01	Pin
3	100703-P1	LN 1/4"	7	705967-01	1/4" Nylock Nut
4	8120392	FW 1/4"	8	705967-02	5/16" Nylock Nut



## HCV Components (IFS1460S2-HC only)

Item	Part No.	Description	Item	Part No.	Description
1	702606-02	HHB 1/4-20 x 1.25", Gr. 8, ZN	5	705378-01	HCV, Electronic
2	100703-P1	LN 1/4"	6	705932-01	Pin
3	8120392	FW 1/4"	7	705967-01	1/4" Nylock Nut
4	703915-01	Assembly, Linkage	8	705967-02	5/16" Nylock Nut





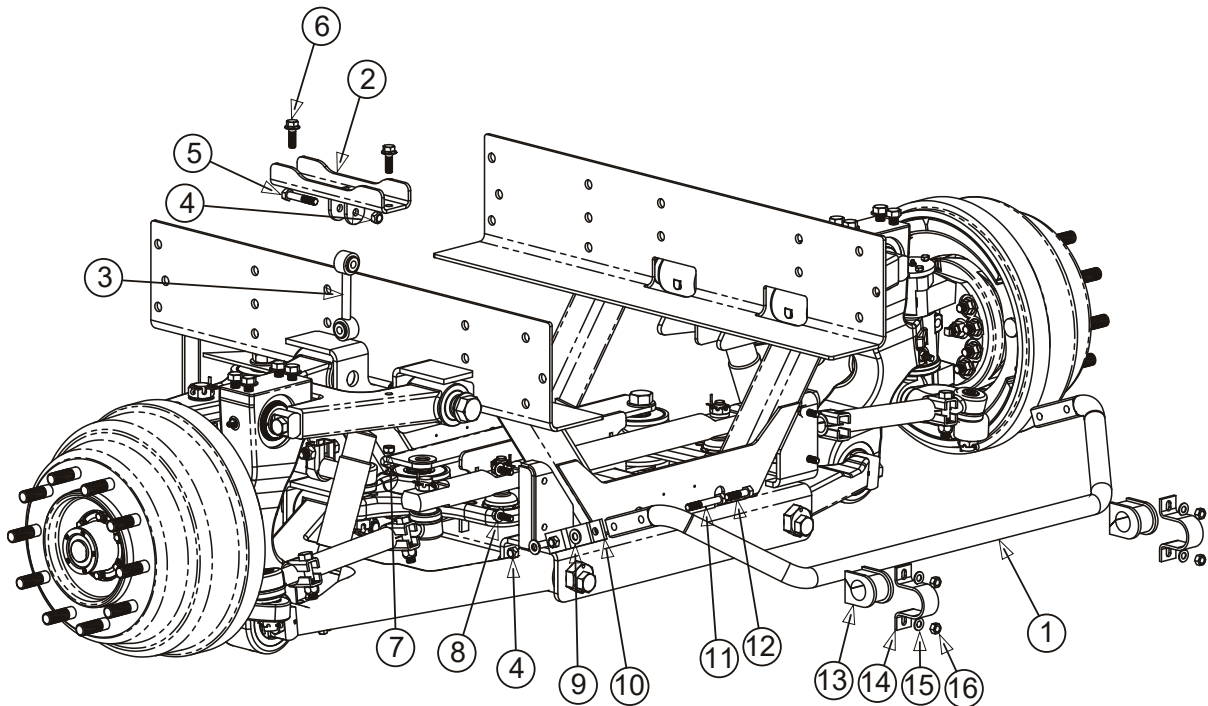
## Sway Bar Components (-SB models only)

Item	Part No.	Description	Item	Part No.	Description
1	703124-01	Sway Bar	9	118	FW 1/2" **
2	703165-01	Assembly, Mount, UCA, Sway Bar	10	703128-01	Mount, UCA, Sway Bar *
3	<del>703127-01</del>	Mount, UCA, Sway Bar Superseded by 703127-03	11	100580-P1	HHB 1/2-13 x3.50, Gr. 8, Zinc **
	703127-03	Mount, UCA, Sway Bar *	12	8455001	HHB 1/2-13 x 2.00, Gr. 8, Zinc **
4	89422301	LN 1/2-13, Gr. 8, Zinc **	13	702895-01	Bushing, Split, Sway Bar *
5	102550	HHB 1/2-13 x 2.75, Gr. 8, Zinc **	14	702894-01	Mount, D-Ring Sway Bar *
6	307	FHB 1/2-13 x 1.50, Gr. 8, Zinc **	15	702898-01	Washer, Cut, Sway Bar
7	89422301	LN 1/2-13, Gr. 8 **	16	89422299	LN 7/16-14 UNC, Gr. 8 **
8	702797-01	FHB 7/16-14 x 1.25, Gr. 8, ZP **			

\* Items included with K706842

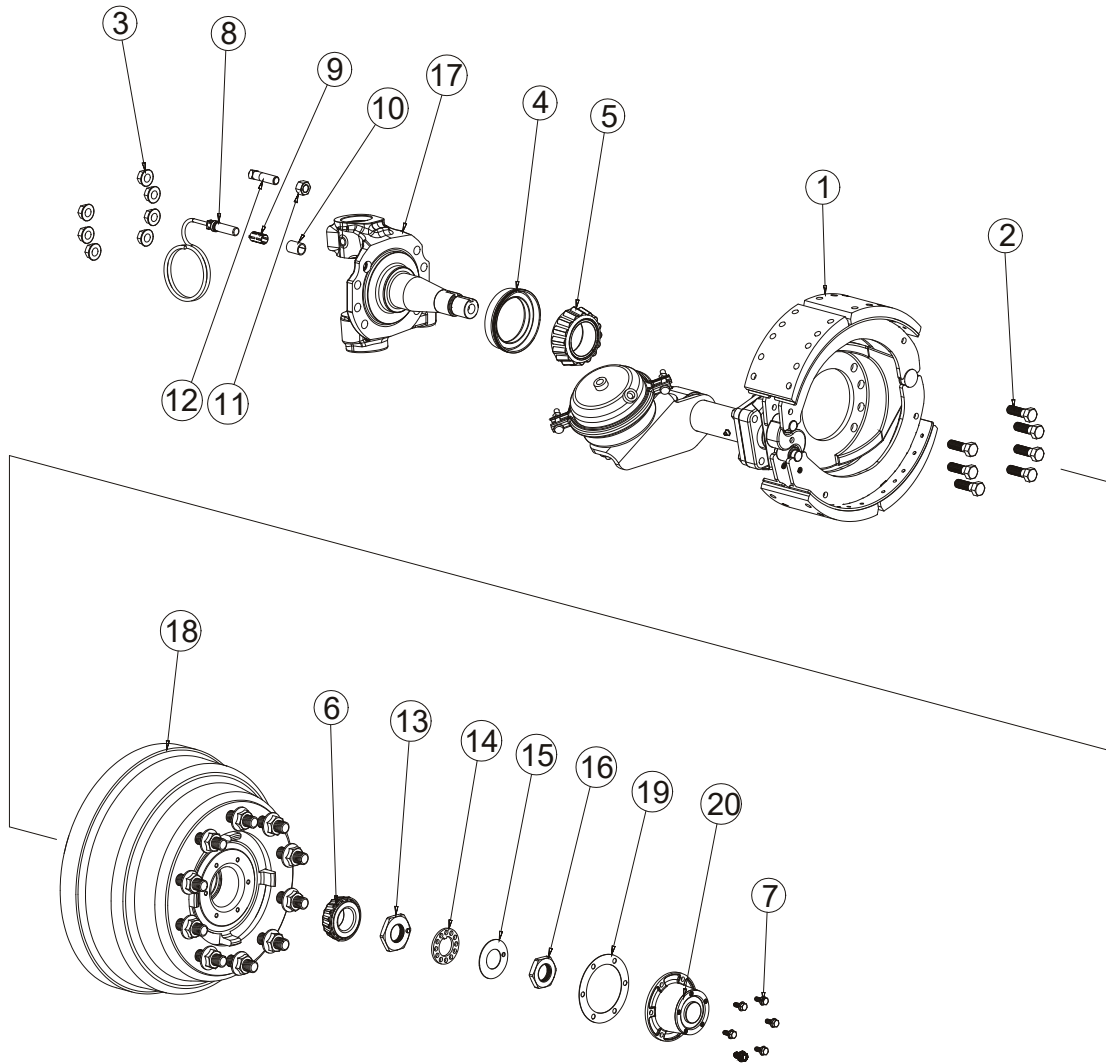
\*\* Items included with K705273

NOTE: 703127-01 must be replaced in pairs with 703127-03



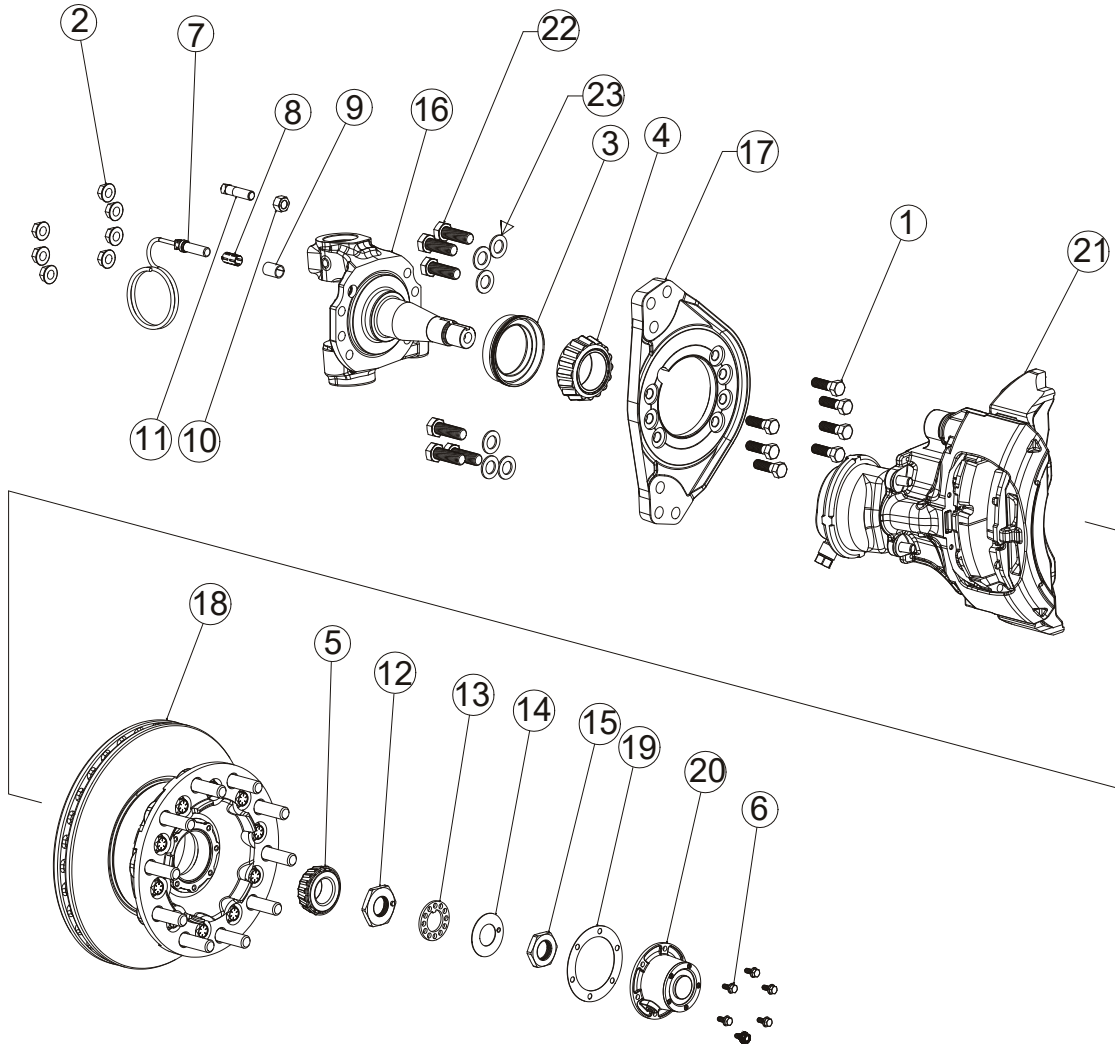
# Wheel End Components (Drum)

Item	Part No.	Description	Item	Part No.	Description
1	705299-01	Brake Assembly, 16.5 x 5, LH	10	705495-27	Sleeve, ABS Sensor
	705299-02	Brake Assembly, 16.5 x 5, RH	11	705495-26	Nut, Steering Stop
	K703829	Brake Relining Kit, 16.5 x 5 (One Side)	12	705495-22	Steering Stop Bolt
2	126	Hex Head Bolt 5/8"-18 x 2, Gr. 8	13	705495-25	Spindle Bearing Nut
3	4599	Lock Nut, 5/8-18" Gr. G	14	705495-20	Spindle Bearing Lock Ring
4	7977	Hub Seal	15	705495-24	Spindle Bearing Washer
5	1784	Bearing Cone - Inner	16	705495-15	Spindle Bearing Jam Nut
	1784-01	Bearing Cup - Inner	17	705495-01	Steering Knuckle, LH
6	6972	Bearing Cone - Outer	17	705495-02	Steering Knuckle, RH
	6972-01	Bearing Cup - Outer	18	707516-01	Assembly, Hub and Drum
7	266	Hub Cap Bolt, 5/16"-18 x 3/4", Gr. 5	19	700024-01	Hub Cap Gasket
8	7328	ABS Sensor	20	700017-01	Hub Cap
9	6946	ABS Sensor Spring Retainer			



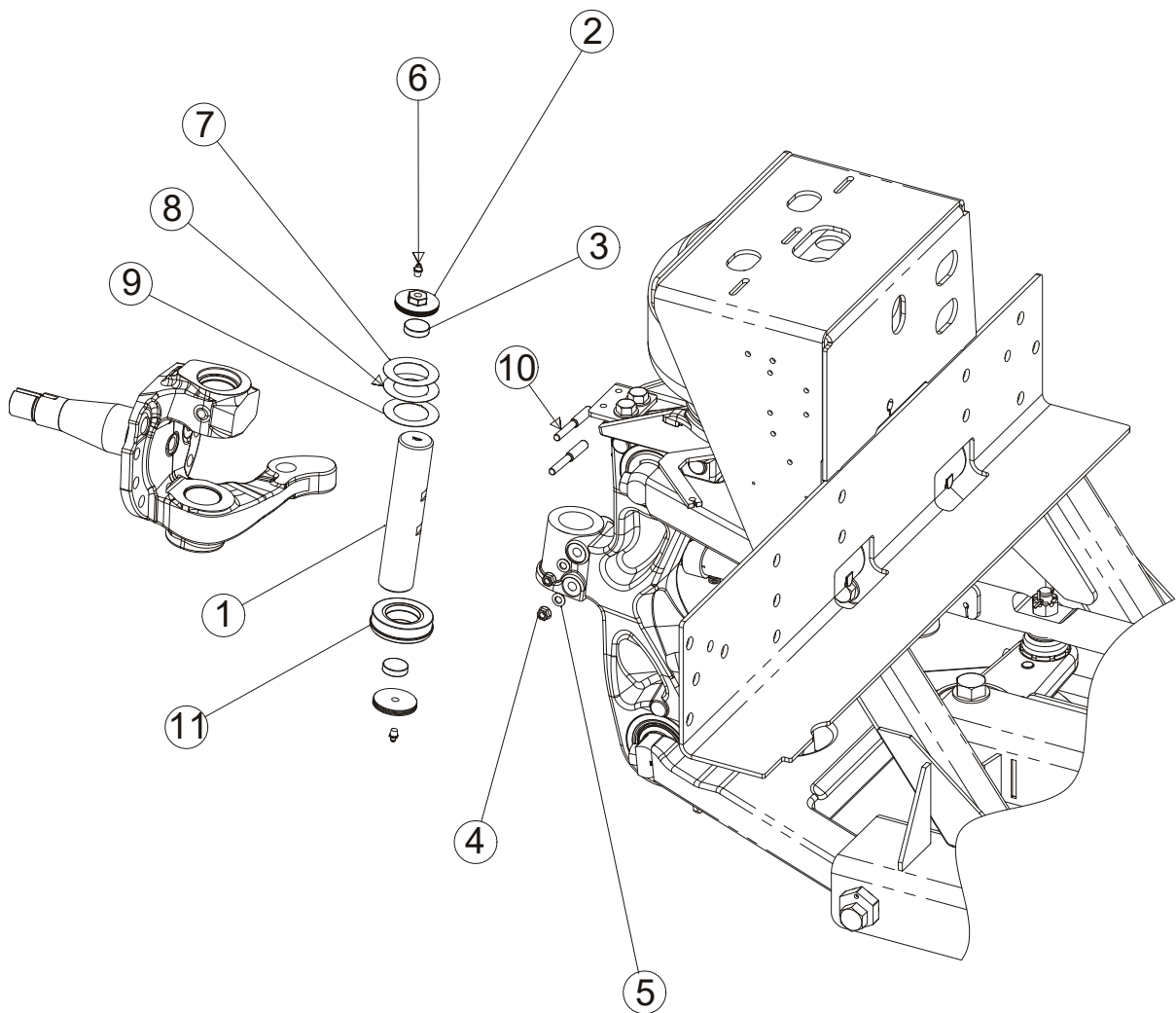
# Wheel End Components (Disc)

Item	Part No.	Description	Item	Part No.	Description
1	126	Hex Head Bolt 5/8-18x2, Gr. 8, ZN	14	705495-24	Spindle Bearing Washer
2	4599	Locking Flange Nut 5/8-18x.75, Gr. G, PH	15	705495-15	Spindle Bearing Jam Nut
3	7977	Oil Seal Assembly	16	705495-01	Steering Knuckle, LH
4	1784	Bearing Cone - Inner		705495-02	Steering Knuckle, RH
	1784-01	Bearing Cup - Inner	17	705998-01	Torque Plate, LH
5	6972	Bearing Cone - Outer		705998-02	Torque Plate, RH
	6972-01	Bearing Cup - Outer	18	705988-06	Assembly, Hub and Rotor
6	266	Flange Head Bolt 5/16-18x.75, Gr. 5, ZC	19	700024-01	Hub Cap Gasket
7	7328	ABS Sensor (Straight w/Lead)	20	700017-01	Hub Cap
8	6946	ABS Sensor Spring Retainer	21	707240-01	Caliper, LH
9	705495-27	Sleeve, ABS Sensor		707240-02	Caliper, RH
10	705495-26	Nut, Steering Stop		707240-03	Brake Pad Kit (Set of 4)
11	705495-22	Steering Stop Bolt	22	700690-04	HHB M20
12	705495-25	Spindle Bearing Nut	23	703553-02	HFW M20
13	705495-20	Spindle Bearing Lock Ring			



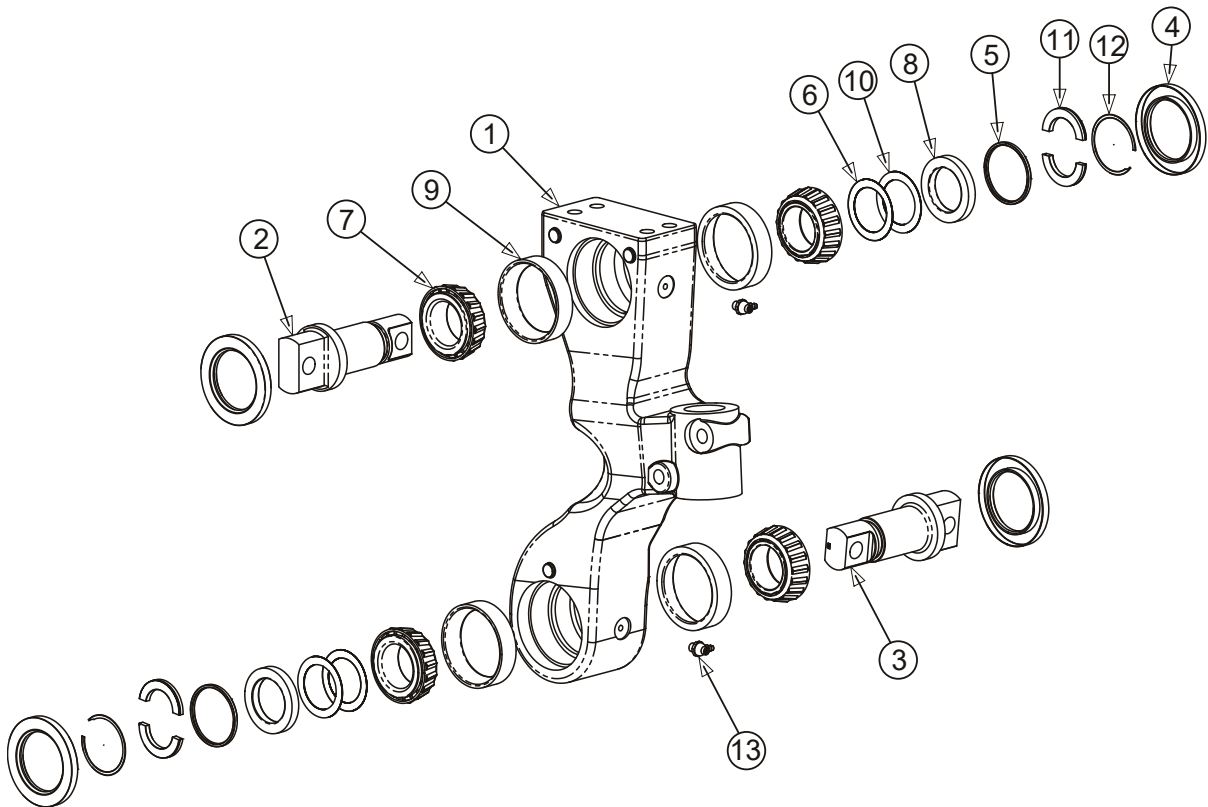
# King Pin Components

Item	Part No.	Description	Item	Part No.	Description
1	705495-19	King Pin	7	705495-07	Shim, .005"
2	705495-17	King Pin Cap	8	705495-08	Shim, .010"
3	705495-18	Seal, Grease	9	705495-09	Shim, .03"
4	705495-30	LFN	10	705495-28	Draw Key
5	705495-21	Washer, Cupped	11	705495-14	Thrust Bearing
6	705495-16	Grease Fitting			



# Steering Knuckle Carrier Components

Item	Part No.	Description	Item	Part No.	Description
1	705664-01	Machining, Carrier, LH	7	702834-01	Bearing Cone
	705664-02	Machining, Carrier, RH	8	702622-01	Spacer
2	702621-01	Upper Bar Pin	9	702835-01	Bearing Cup
3	702621-02	Lower Bar Pin	10	702623-02	Shim, .010
4	702836-01	Seal	11	702618-01	Split Collar
5	702619-01	Outer Collar	12	702620-01	Retaining Ring
6	702623-01	Shim, .004	13	7352	Grease Zerk, Hydraulic Shutoff



Left Hand Steering Knuckle Carrier Shown

# Lubrication


## Lubricant Specifications and Intervals

COMPONENT	SERVICE INTERVAL	CHANGE INTERVAL	LUBRICANT SPECIFICATION
Ball Studs on Ends of Tie Rods, Crank Rod, Drag Link	Which ever comes first: Every oil change or every 6 months	N/A	Multi-Purpose Chassis Grease Premium Multi-Purpose Chassis Grease NLGI Grade 2
Kingpin	Which ever comes first: Every oil change or every 6 months	N/A	Multi-Purpose Chassis Grease Premium Multi-Purpose Chassis Grease NLGI Grade 2
Carrier Bearings <sup>2</sup>	Which ever comes first: 50,000 miles (80,000 kilometers) or once a year	N/A	Mobilith AW2 Amoco L Industrial 861 Exxon Ronex MP
Brake S-Cam Tube and Automatic Slack Adjuster <sup>1</sup>	Which ever comes first: Brakes relined. 50,000 miles (80,000 kilometers) or once a year	N/A	Premium Multi-Purpose Chassis Grease NLGI Grade 2
Wheel End	1000 miles (1600 kilometers) Check fluid level	Which ever comes first: Seals replaced, brakes relined, 100,000 miles (160,000 km), or once a year	Gear Oil SAE 80W/90 or equivalent

1. Moly-disulfide type grease is not recommended since it may lower friction capabilities in the adjusting clutch parts of the automatic slack adjuster.
2. Use caution when using an automatic grease gun or seals could possibly be blown out and damaged.

## General Lubrication

Proper lubrication practices are important in maximizing the service life of your ReycoGranning® Independent Front Suspension.

 <b>CAUTION</b>
<p><b>Do not mix lubricants of different grades. Do not mix mineral and synthetic lubricants. Different brands of the same grade may be mixed.</b></p>

 <b>CAUTION</b>
<p><b>Never mix oil bath and grease packed wheel ends.</b></p>

## Ball Joints

The ball joints are lubricated and sealed for their service life and do not require lubrication. Check for oil or grease marks on the exterior of the seal and if found verify that the seal has not been ruptured. If the seal has been ruptured then the ball joint must be replaced because it cannot be re-lubricated.

## Ball Studs on Tie Rods, Crank Rod, and Drag Link

1. Review lubricant specification and interval requirements before servicing.
2. Apply lubricant to grease fitting until new lubricant discharges from the dust boot (**Figure 4**).

---

## Brake S-Cam Tube and Automatic Slack Adjuster

1. Review lubricant specification and interval requirements before servicing.
2. Apply lubricant to the S-cam tube until new lubricant discharges from the S-camshaft bushing seal next to the automatic slack adjuster. **(Figure 4)**.

3. Apply lubricant to the automatic slack adjuster until new lubricant discharges from the cone clutch adjacent the adjusting hex nut. **(Figure 4)**.

## Carrier Bearing and Kingpin

1. Apply lubricant to both upper and lower carrier bearings and kingpin bushings until new lubricant discharges from the carrier bearing seals and in between the steering knuckle kingpin housing and carrier.

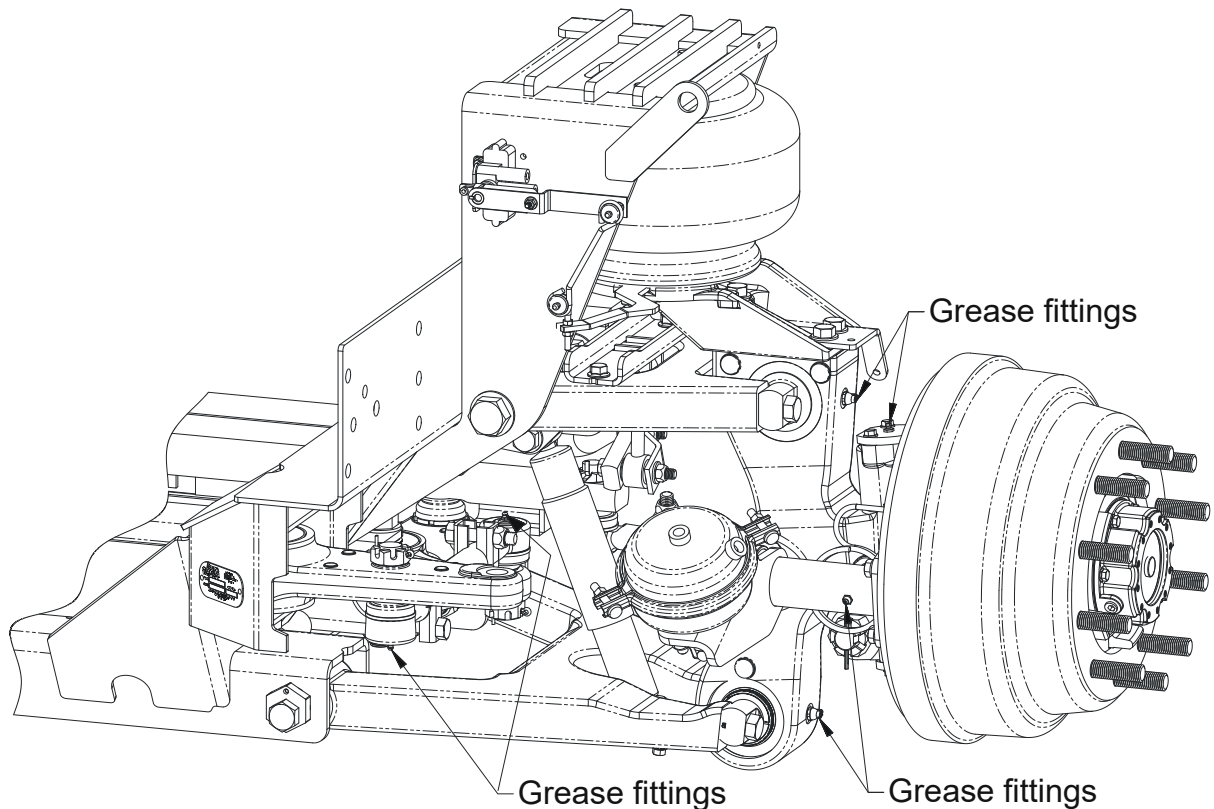


Figure 4 – Location of Lubrication Fittings

Note: Left side only shown.

---

## Wheel Bearings

1. Review lubricant specification and interval requirements before servicing.
2. Check oil level through hub cap window. If level is below the “add” level line then remove the pipe plug and fill with recommended oil until “full” level is achieved. (**Figure 5**). Add oil slowly since the heavy weight oil will settle slowly in the hub. (Note: The hub cap window can only be cleaned with mild soap and water. Aromatic solvents should not be used, as they will impair the transparency of the window.)
3. Check the hub cap for external oil marks. The vent plug will normally weep a small amount of oil. Oil marks in other locations should be addressed by replacing the hub cap seal, window gasket, or tightening the pipe fill plug.

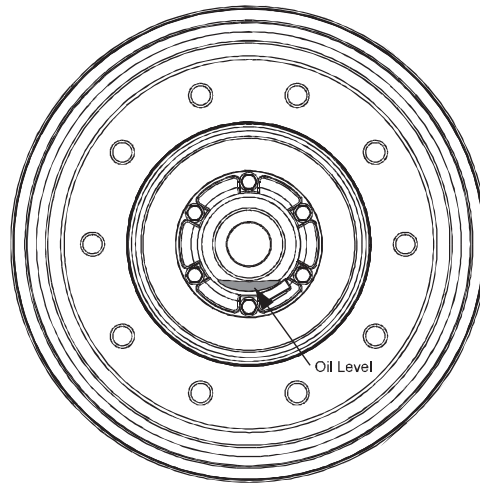


Figure 5 - Wheel Bearing Oil Level



# Troubleshooting

SYMPTOMS	POSSIBLE CAUSES	REMEDIES
<b>Tires wear out quickly or have uneven tire tread wear</b> <b>Note:</b> <i>Wear pattern will indicate possible cause(s). Consult tire manufacturer for guidance.</i>	Tires have incorrect pressure	Put specified air pressure in tires
	Tires out of balance	Balance or replace tires
	Incorrect toe-in setting	Adjust toe-in to specified setting
	Incorrect ride height	Adjust ride height to specified setting
	Incorrect rear axle alignment	Align rear axle to specified thrust angle
	Incorrect steering arm geometry	Adjust tie rod lengths as required
	Improper (mismatched) tires and wheels	Install correct tire and wheel combination
<b>Vehicle is difficult to steer</b> <b>Note:</b> <i>Engine must be running for power steering to be active and able to provide steering assist.</i>	Improper oversized tires	Install correct tire and wheel combination
	Tires not uniform	Install correct tire and wheel combination
	Tires have incorrect pressure	Put specified air pressure in tires
	Incorrect steering arm geometry	Adjust tie rod lengths as required
	Steering arms binding	Check steering arm bearings and lubricate as needed
	Steering arm ball joints binding	Inspect ball joints for wear and replace as required
	Tie rod ends binding	Inspect tie rod ends for wear and lubricate as needed
	Kingpin binding	Inspect, lubricate, and repair as required
	Steering column linkage binding	Align or adjust as required
	Steering miter box binding	Check steering miter box and repair or replace as required
	Steering gear valve binding	Inspect, repair or replace as required
	Steering wheel to column interference	Align or adjust as required
	Power steering pump fluid level low and/or possible leak in system	Add fluid, tighten connections and correct as needed
	Power steering pump pressure and flow below specification	Conduct pump flow and relief pressure tests and adjust, repair or replace as needed
	Air in power steering system	Add fluid, tighten connections and bleed system
	Contaminated or incorrect fluid	Replace with correctly specified fluid
	Obstruction with steering gear pitman arm or within hydraulic lines	Inspect, remove obstruction(s) and repair or replace as required
Obstruction within wheelhouse	Inspect, remove obstruction(s) as required	
Excessive internal steering gear leakage	Inspect, repair or replace as required	

<b>SYMPTOMS</b>	<b>POSSIBLE CAUSES</b>	<b>REMEDIES</b>
<b>Vehicle wanders side-to-side...loose steering</b>  <b>Steering wheel has large amplitude, rotational oscillations when hitting large bumps</b>	Vehicle overloaded or unevenly loaded driver side to passenger side	Check wheel loads and correct as needed
	Improper (mismatched) tires and wheels	Install correct tire and wheel combination
	Tires have incorrect pressure	Put correct air pressure in tires based on wheel load
	Incorrect toe-in setting	Adjust toe-in to specified setting
	Incorrect wheel caster setting	Adjust wheel caster to specified setting
	Tie rod end connection loose or ball stud worn	Inspect ball stud connections and wear
	Steering arm mounts loose	Check and tighten to specification
	Steering arm ball joints binding or worn	Inspect ball joints for wear or contamination and replace as required
	Kingpin worn	Check and replace as required
	Wheel bearings out of adjustment	Check wheel bearing end play and adjust as required
	Loose steering gear mounting	Check mounting and secure as needed
	Loose pitman arm	Check pitman arm and tighten as required
	Steering column linkage worn	Check for wear and repair or replace as needed
	Steering gear adjustment	Check and adjust to specification
	Steering column mis-aligned	Realign steering column as required
	Worn knuckle carrier bearings	Check, adjust, or replace as needed
	Loose knuckle carrier mounting bolts	Check and tighten as needed
Loose wheel nuts	Check and tighten to specification	
<b>Vehicle pulls to one side without the brakes applied</b>	Vehicle overloaded or unevenly loaded driver side to passenger side	Check wheel loads and correct as needed
	Improper (mismatched) tires and wheels	Install correct tire and wheel combination
	Tires have incorrect pressure	Put correct air pressure in tires based on wheel load
	Unequal ride height side to side	Inspect ride height and adjust to specified setting
	Improper brake adjustment	Inspect and adjust slack adjusters as required
	Incorrect rear axle alignment	Align rear axle to specified thrust angle
	Incorrect caster and/or camber setting	Check and adjust as required
	Wheel bearings out of adjustment	Check wheel bearing end play and adjust as required
	Loose steering gear mounting	Check mounting and secure as needed
	Tie rod end connection loose or ball stud worn	Inspect ball stud connections and wear
	Bent spindle or steering arm	Inspect and replace as required
	Frame or underbody out of alignment	Inspect and correct as required
	Incorrect toe-in setting	Adjust toe-in to specified setting
	Mis-aligned belts in radial tires	Check and replace as needed
	Steering gear valve binding	Inspect, repair or replace as required
	Steering gear not centered	Inspect and adjust as required
	Excessive internal steering gear leakage	Inspect, repair or replace as required
Excessive water puddling on road	Avoid water puddles on road	

SYMPTOMS	POSSIBLE CAUSES	REMEDIES
<b>Vehicle pulls to one side with the brakes applied</b>	Grease, oil or dirt on brake linings	Replace brake linings as required
	Brake linings are glazed	Deglaze brake linings by burnishing or replace as required
	Brake linings are not a balanced set, different friction codes or lining brand	Replace brake linings as required
	Loose or broken brake linings	Replace brake linings as required
	Brake drum out of round	Re-machine or replace brake drum as required
	Defective brake drum.	Inspect for defects and replace as required
	Brake air chamber clevis pin or camshaft binding	Check and lubricate as needed
	Defective slack adjuster	Inspect for defects and replace as required
	Uneven brake adjustment side to side	Adjust slack adjuster as required
	Different brake air chamber size or slack adjuster length side to side	Replace with same size brake air chambers and length slack adjusters
	Brake chambers air pressure uneven side to side	Check side-to-side air pressure and correct as needed
	Unequal brake air chamber stroke side to side	Check side-to-side stroke and adjust as required
	Rear axle brakes mis-adjusted or contaminated	Check, adjust, or replace as required
	ABS system malfunction	Check ABS system for proper function
	Air leak or obstruction in air brake lines	Check fittings with soapy water solution and remove obstructions
	<b>Vehicle rolls side to side excessively</b>	Brake air chamber air leak or diaphragm damaged
Excessive water puddling on road		Avoid water puddles on road
Front and/or rear shock absorbers worn		Replace shock absorbers as needed
Shock mounting loose		Check and tighten as required
Shock eye bushings worn		Check and replace as needed
Sway bar bushings worn		Check sway bar bushings and replace as needed
Sway bar mounting brackets loose		Check sway bar mounting brackets and tighten as needed
<b>Front tires lock up during hard braking or ABS malfunction light remains lit</b>	Control arm pivot bushings worn	Inspect and replace as required
	Internal leak in height control valve	Check height control valve and replace as required
	ABS sensor malfunction	Inspect ABS sensor installation and replace sensor as required
	ABS CPU or system malfunction	Check and repair or replace as required
	ABS sensor electrical connection faulty	Check ABS sensor connection and lead wire
	Tone ring on hub damaged	Check for damage and replace as required

SYMPTOMS	POSSIBLE CAUSES	REMEDIES
<b>Vehicle ride is too harsh and/or suspension contacts stops excessively</b>	Front shock absorbers worn	Replace shock absorbers as needed
	Incorrect ride height	Adjust ride height to specified setting
	Vehicle overloaded	Check wheel loads and correct as needed
	Air spring supply lines leaking or obstructed	Check air line connections and remove obstructions
	Vehicle system air pressure below specification	Check air pressure and correct as needed
	Rebound bumper worn or missing	Check and replace as needed
	Jounce bumper in air spring worn or broken	Check and replace air spring as required
<b>Vehicle ride is too soft</b>	Front shock absorbers worn	Replace shock absorbers as needed
	Incorrect ride height	Adjust ride height to specified setting
<b>Vehicle has unequal turning radius right to left</b>	Incorrect steering arm geometry	Adjust tie rod lengths as required
	Steering gear not centered	Inspect and adjust as required
	Steering gear poppet valves set incorrectly	Check wheel turn angles and adjust as required
	Tie rod clamps positioned improperly	Check orientation and adjust as needed
<b>Suspension does not maintain ride height</b>	Air leak	Check connections with soapy water solution and repair or replace as needed
	Internal leak in height control valve	Check height control valve and replace as required
	Height control valve linkage loose	Check and tighten linkage as needed
	Air spring chafed or worn	Check air spring and replace as needed
<b>Brakes are noisy</b>	Grease, oil or dirt on brake linings	Replace brake linings as required
	Brake linings are glazed	Deglaze brake linings by burnishing or replace as required
	Brake linings are not a balanced set, different friction codes or lining brand	Replace brake linings as required
	Loose or broken brake linings	Replace brake linings as required
	Brake drum out of round	Re-machine brake drum as required
	Defective brake drum	Inspect for defects and replace as required
	Excessive dirt built up in brake drum cavity	Remove excessive dirt from brake drum cavity

Note: Refer to Dana-Spicer Manual SHABD789-1 for troubleshooting of the drum brakes.

Refer to Bendix Disc Brakes manual Y006471 for troubleshooting of the disc brakes or contact Customer service at 1-800-247-2725.

## General Inspection

Perform a thorough visual inspection of the suspension to ensure proper assembly and to identify broken parts and loose fasteners each time the vehicle suspension is serviced. Do the following during an inspection.

- **Wheel Alignment** - Follow the guidelines in the Front Wheel Alignment section for wheel alignment inspection intervals. Check wheel alignment if excessive steering effort, vehicle wander, or abnormal tire wear is evident.
- **Fasteners** - Check that all the fasteners are tightened to the proper tightening torque. Use a calibrated torque wrench to check torque.
- **Wear and Damage** - Inspect components of the suspension for wear and damage. Look for bent or broken components. Replace all worn or damaged components.
- **Operation** - Check that all components move freely through the complete wheel turning arc.

### CAUTION

**Reyco Granning LLC recommends replacing any damaged or out-of-specification components. Reconditioning or field repairs of front suspension components is prohibited. Some cast components are heat-treated. These components as well as other non-heat treated castings cannot be bent, welded, heated, or repaired in any way without reducing the strength or life of the component thus voiding the warranty. Only genuine ReycoGranning® replacement components are allowed.**

### WARNING

**Never work under a vehicle supported by only a jack(s). Jacks can slip or fall over and cause serious personal injury. Always use safety stands. Do not place jacks or safety stands under the lower control arms to support the vehicle. Lower control arms are not stationary components and could move allowing the vehicle drop causing serious personal injury.**

The vehicle may be supported on safety stands by the suspension sub-frame or chassis frame for inspections that require removal of the wheel and tires or deflation of the air springs. Always secure the vehicle by setting the parking brake and block the drive wheels to prevent vehicle movement before inspections.

## Inspecting the Control Arm Bushings for Wear

### NOTE

**It is recommended that the bushings in all of the control arms be replaced at the same time if one is found worn.**

1. Check clearance between each control arm and sub-frame-bushing mount. Look for contact pattern as evidence of bushing wear. Replace worn bushings in both control arm housings as needed.
2. Check for bushing bulging between the control arm and sub-frame mount or presence of small rubber particles near sub-frame bushing mount.

3. Check that the control arm mounting bolts are tight. Recommended torque is **460-490 ft-lb** for lower control arms and **950-1050 ft-lb** for upper control arms (See Torque Table). A loose joint will result in wear between the bushing inner sleeve and sub-frame mount.

## Inspecting the Tie Rod Ends

### **WARNING**

**Do not use a wrench or other object to apply leverage when inspecting tie rod end sockets. Applying leverage can yield incorrect results and damage components. Component damage can lead to the loss of steering control.**

1. With the engine on, lightly rock the steering wheel and have an assistant observe any looseness in the two mating tapers or any movement of the stud nut at both ends of the tie rod. (**Figure 6**). If looseness is found in either place go to step 2, otherwise skip to step 3.
2. Remove the tie rod end ball stud from the taper mount and visually inspect both. If either of the mating tapers shows distortion or wear, then both components must be replaced. Torque tie rod castle nuts to **90-100 ft-lb** (See Torque Table).
3. With the engine off and the wheels steered straight ahead, grab the tie rod near its end and try to move the socket in a direction parallel to the ball stud axis. (**Figure 6**). Be sure to only apply hand pressure to the tie rod.

4. Measure the axial movement with a scale. If the movement is greater than 1/8 inch (3mm) replace the tie rod end immediately. If the socket moves but the movement is less than 1/8 inch (3mm) then the tie rod end should be replaced before 1/8" (3mm) movement occurs.
5. Check dust boot for damage. Replace as needed.
6. Check tie rod clamp orientation (**Figure 6**)

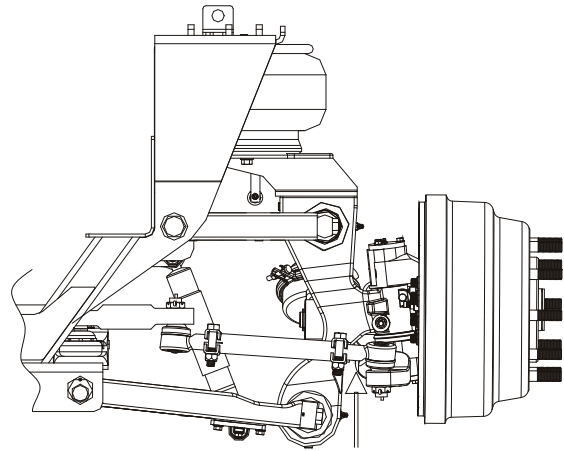


Figure 6 - Tie Rod

## Inspecting the Automatic Slack Adjusters and Brake System

### Automatic Slack Adjusters

The suspension system is equipped with automatic slack adjusters for steer axles. For inspection and adjustment refer the Crewson-Bruner Adjustment Guidelines.

---

## Brake System

The suspension system is equipped with Dana 16.5x5 S-cam air brakes. Refer to Dana maintenance manual #SHA 589-1 5M inspection and service procedures.

## Inspecting the ABS Sensor and Tone Ring

1. The tires and brake drums may be removed if needed to ease inspection of tone ring and sensor.
2. Disconnect the ABS sensor lead from the chassis connector.
3. The ABS sensor test will require a voltmeter that can measure AC voltage on a millivolt scale.
4. Connect the voltmeter to the connector pins of the ABS sensor lead.
5. Set the voltmeter scale to millivolts and the voltage source to AC volts.
6. Rotate the wheel hub by hand and record the voltage output from the ABS sensor. A minimum output of 800 millivolts is normal.
7. If the minimum voltage output is not achieved, check lead wire connections and repeat Step 3. Otherwise, if the minimum voltage output is not achieved after repeating Step 3 then go to Step 5.

8. Check physical gap between the sensor and tone ring (**Figure 7**). The brake drum must be removed to inspect gap. The maximum allowable gap is .027 inch. If the gap is greater than .027 inch, press on the wire lead end of the sensor and push the sensor into contact with the tone ring. Check that the ABS spring retainer and bushing are not unseated. Re-seat components as needed.
9. Inspect the tone ring on the hub for physical damage and proper installation onto the hub. The tone ring should have a maximum run out of .008 inch relative to the hub/spindle centerline.
10. Repeat Step 3. If voltage output is less than 800 millivolts then replace the ABS sensor (Note: Check voltage output of new sensor).

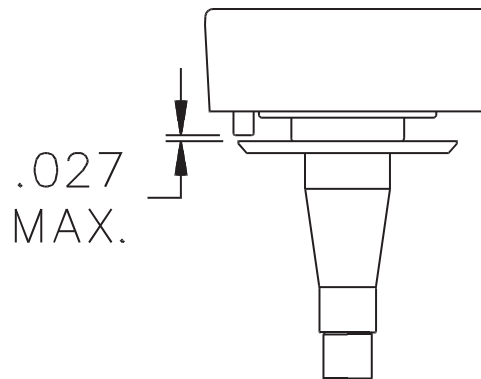


Figure 7 - ABS Sensor and Tone Ring Gap

## Inspecting the Shock Absorber

1. Check shock absorbers for oil leakage, bent components, missing or broken components, excessive corrosion, or worn bushings. Replace shock absorbers if any of the above items is present.



---

## Inspecting the Air Spring and Height Control Valve

### Air Spring Inspection

4. Refer to Firestone's Preventative Maintenance Checklist for additional air spring information.
5. Check the outside diameter of the air spring for irregular wear or heat checking.
6. Check airlines to make sure contact does not exist between the airlines and the outside diameter of the air spring. Re-secure airlines to prevent contact as needed. Check for airline and fitting leaks with soapy water solution.
7. Check to see that there is minimum of 1-inch clearance around the circumference of the air spring while it is energized with air.
8. Check the air spring piston for build up of foreign material. Remove any foreign material that is present.

### Height Control Valve Inspection

9. Check the height control valve and linkage for damage. Replace components as needed.
10. Dump and re-inflate the air suspension.
11. Verify the ride height by measuring from wheel center to the bottom of the frame ("A") or air spring height ("B"). If the dimensions are not within  $\pm .125$ " of (Figure 8), readjust.
12. The actuation arm of the height control valve should be horizontal at ride height (Figure 8). See section for adjusting to correct ride height.

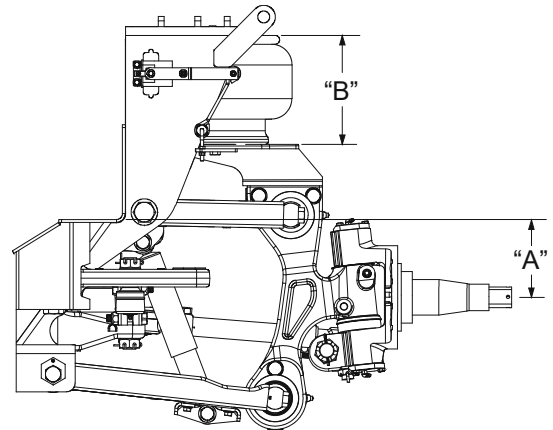


Figure 8 - Ride Height Measurement

Unit	Ride Height "A"	Air Spring "B"
IFS1460	6.19"	9.00"

## Inspecting the Steering Arm Bearings

1. Check that steering arm pivots are free of foreign material and bearing seals are in place.
2. Start vehicle engine. Oscillate the steering wheel and observe the motion of the steering arms (Figure 9). The steering arms should not exhibit any noticeable conical motion about their pivot axes.
3. If any conical motion is observed check pivot bolt torque which should be **460-490 ft-lb** (See Torque Table). Otherwise, replace the bearing set of the steering arm that exhibits conical motion.

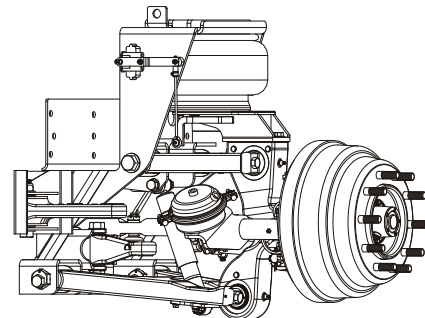


Figure 9 - Steering Arms



---

## Inspecting the Steering Arm Ball Joints

### Seal Inspection

1. Inspect the ball joint seal outer surface for presence of oil “wetting”. The entire outer seal surface should be dry. Use a mechanics mirror and flashlight to inspect the entire seal. Use a blunt object as needed to inspect between seal convolutes.
2. If oil “wetting” is found, then inspect the entire wet area to confirm the seal has a rupture(s) and oil source is from internal grease leaking from the ball joint. If seal is ruptured, then the ball joint must be replaced.
3. Skip ball joint endplay measurement.

### NOTE

**Care must be taken to not damage ball joint seals during inspection. Seals that are ruptured during inspection must be replaced. Do not apply excessive force to pry ball joints.**

### Endplay Inspection

1. Install a dial indicator with a magnetic base so that the base is fixed to the steering arm. Place the indicator tip on the flat area of the relay rod adjacent the castle nut.
2. Using a C-clamp, squeeze the relay arm and the steering arm together to seat the ball joint. Do not apply excessive clamp load.
3. Set the dial indicator on “zero”.

4. Release the clamp. Place the pry bar between the steering arm and relay arm. **Do not allow the pry bar to contact the ball joint seal.** Firmly pry upward using the steering arm as a fulcrum to lift the relay arm. The pry load must not cause the relay arm to rotate thus causing the relay to change orientation.
5. Record the dial indicator reading. A reading greater than .040” will require ball joint replacement.
6. Inspect ball joint seal for damage and replace the ball joint if damaged during measurement process.

## Inspecting Wheel Bearing Endplay

1. If the tire and wheel are not removed make sure all the wheel nuts are tightened to the specified torque of **450-500 ft-lb** (See Torque Table).
2. If the tire and wheel are removed (recommended for aluminum wheels) secure the brake drum to the hub with the wheel nuts or remove the brake drum.
3. Remove the vent plug from the hubcap.
4. Attach a dial indicator with a magnetic base to the face of the wheel, hub, or brake drum. The dial indicator may also be attached to the bottom of the brake drum if the wheel is removed.
5. Place the tip of the dial indicator on the center of the steering knuckle spindle. Set the dial indicator on zero. **(Figure 10).**

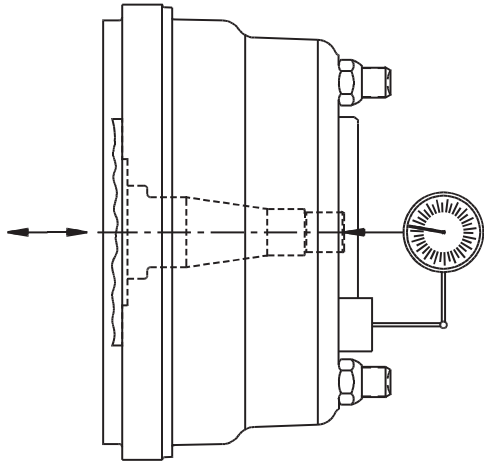


Figure 10 - Wheel End Play Measurement

## NOTE

**Do not push/pull at the top and the bottom of the tire, drum, or hub. Pushing or pulling at the top and the bottom will not yield a true measurement of the endplay.**

6. Measure the endplay by simultaneously pushing/pulling on each side of the tire, drum, or hub while observing the dial indicator. The endplay is the total travel observed. If the endplay is not within .001-.004", see the section on adjusting the wheel bearing endplay.

## Inspecting the Knuckle Carrier Bearing and Seal

1. Inspect the seals for damage.
2. Place the magnetic base of a dial indicator on the knuckle carrier and position the tip of the dial on the end of the bar pin such that axial movement can be measured.
3. Set the dial indicator to "0" (zero).

4. Place a pry bar between the control arm and carrier and pry to measure axial movement of the bar pin. Do not pry on seal. Measure and record the dial indicator reading.
5. If the axial endplay is more than "0" inch, then replace the carrier bearings. See repair section on knuckle carrier.

## Inspecting the Kingpin Vertical Endplay

1. Turn the tire straight ahead.
2. Place the magnetic base of a dial indicator on the knuckle carrier and position the tip of the dial on top of the king pin bearing cap such that vertical movement can be measured.
3. Place a portable jack and a suitable block (one with clearance for the grease fitting) under the lower king pin grease cap area.
4. Set the dial indicator to "0" (zero).
5. Raise the jack until the dial indicator shows the end of vertical travel. Measure and record the dial indicator reading. Vertical inspection clearance must be .002-.012 (IFS1460) inches.
6. If the steering knuckles binds or less than .001 inch endplay is measured, remove shims from the shim pack. See repair section for kingpin.
7. If the vertical endplay measurement is more than .012 inches, then install shims. See repair section for kingpin.

## Adjusting Suspension Ride Height

The height control valve (HCV) and linkage should be checked regularly for proper clearance, operation and adjustment.

### NOTE

**Improperly adjusted ride height will result in incorrect wheel alignment measurements and may result in abnormal tire wear. Check the ride height prior to front suspension alignment.**

The ride height of the front suspension is the distance from the bottom of the chassis frame rail to the center of the wheel spindle. An alternate measurement may be taken as the height of the air spring (See Figure 11).

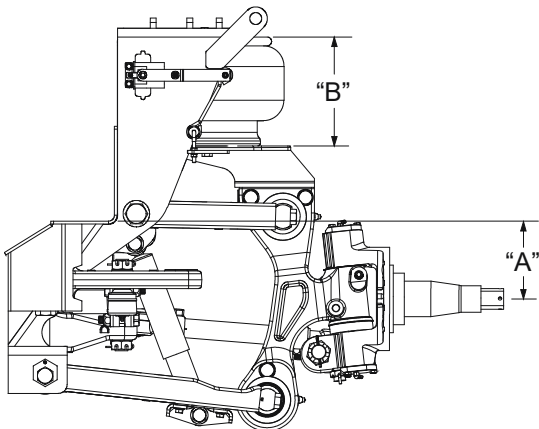


Figure 11 – Measurement at Ride Height

Unit	Ride Height "A"	Air Spring "B"
IFS1460	6.19"	9.00"

Properly adjusted ride height results in correct suspension travel and alignment. The ride height should not be adjusted to adjust chassis rake angle.

### CAUTION

**Adjusting the ride height can cause the front end to raise or lower unexpectedly due to vertical movements at the connection of the vertical link and the horizontal arm of the height control valve.**

1. Park the vehicle on a level surface.
2. Exhaust or "dump" and re-inflate the air suspension. Allow the Suspension to settle.
3. Check ride height of rear suspension:

A: On vehicles with front suspension equipped with (2) height control valves, check and adjust the rear suspension first.

B: On vehicles with front suspension equipped with a single height control valve, check and adjust the rear suspension after finish adjusting the front.

4. Measure either the wheel center to bottom of frame ("A") or air spring height ("B"). If the dimensions are not within  $\pm 1/8$ " of measurements in Figure 11, adjust as follows.

A: Loosen the height control valve linkage stud retaining nuts.

B: Raise or lower the L-shaped linkage stud as necessary.

C: Tighten the retaining nuts. Note: It is recommended that the upper and lower studs be positioned parallel to each other. Torque to **8-12 ft-lb**

- 
5. After adjusting the length, it is recommended to dump and re-inflate the air suspension to obtain the ride height. Allow the suspension to settle.
  6. If not already completed, adjust the rear suspension per manufacturer's recommendations.
  7. Verify at each axle that the side-to-side ride heights are within .25" of each other.

## Adjusting Wheel Bearing Endplay

1. Secure the vehicle by setting the parking brake and block the drive wheels to prevent vehicle movement.



### WARNING

**Never work under a vehicle supported by only a jack(s). Jacks can slip or fall over and cause serious personal injury. Always use safety stands. Do not place jacks or safety stands under the lower control arms to support the vehicle. Lower control arms are not stationary components and could move allowing the vehicle drop causing serious personal injury.**

2. Raise the vehicle until the front wheels are off the ground. Support the raised vehicle with safety stands.
3. If the tire and wheel are not removed make sure all the wheel nuts are tightened to the specified torque of **450-500 ft-lb** (See Torque Table).

4. If the tire and wheel are removed (recommended for aluminum wheels) secure the brake drum to the hub with the wheel nuts or remove the brake drum.
5. Place an oil drip tub beneath the hub to catch oil. Rotate the hub such that the hubcap drain plug is facing upwards. Remove the drain plug from the hubcap and place it in a container for re-installation.
6. Rotate the hub such that the drain hole faces downward and drain the oil from hub cavity. Wait a few minutes for most of the oil to drain before continuing to the next step.
7. Remove the hubcap bolts, hubcap, and gasket. Take care not to damage the gasket for re-installation. Place the components in a location to prevent contamination. Note that solvents may damage the hubcap window.

### NOTE

**When removing or installing the inner and outer spindle nuts, use the correct wrench sockets to avoid damaging the nuts. Do not use impact driver to tighten inner and outer nuts. Only use a torque wrench to tighten the nuts.**

8. Unbend the retainer washer and remove the spindle outer nut, retainer washer, and locking washer. Loosen the inner spindle nut.
9. Seat the bearings by tightening the inner spindle nut to **100 ft-lb** while rotating the hub.
10. Loosen the inner nut one turn, then tighten to **50 ft-lb** while rotating the hub.
11. Back off the inner spindle nut 1/3 turn.

12. Install spindle lock washer (D Washer), Spindle Washer and outer nut.

13. Torque the outer nut to **100-150 ft-lb**

## NOTE

**If the dowel pin of the inner spindle nut and a hole in the locking washer are not aligned, turn the locking washer over and re-install. If required, loosen the inner spindle nut just enough for alignment.**



## CAUTION

**Never tighten the inner spindle nut to align the dowel pin with hole in locking washer. This can pre-load the bearings and cause premature bearing failure.**

14. Verify that wheel endplay is between .001-.005 inches. (See inspecting wheel endplay section). If not, loosen outer nut, re-index the inner nut accordingly, and repeat Steps 9 thru 12 until proper endplay is achieved.

15. Bend retainer washer over one wrench flat of the outer nut.

16. Install hubcap gasket and hubcap. Tighten the cap screws to **20-30 ft-lb** (See Torque Table). Replace the hubcap vent plug if removed.

17. Fill the hub cavity with the appropriate amount and type of lubricant and secure drain plug.

18. Check oil level through the hubcap window (**Figure 12**). If level is below the “add” level line, then fill with recommended oil until “full” level is achieved. Add oil slowly since the heavy weight oil will settle slowly in the hub. (Note: The hubcap window can only be cleaned with mild soap and water. Aromatic solvents should not be used, as they will impair the transparency of the window.)

19. Check the hubcap for external oil leakage at the drain plug or gasket. For leaks at the drain plug check for application of thread sealant to threads and tightness. For leaks at the gasket, replace the gasket. The vent plug will normally weep a small amount of oil.

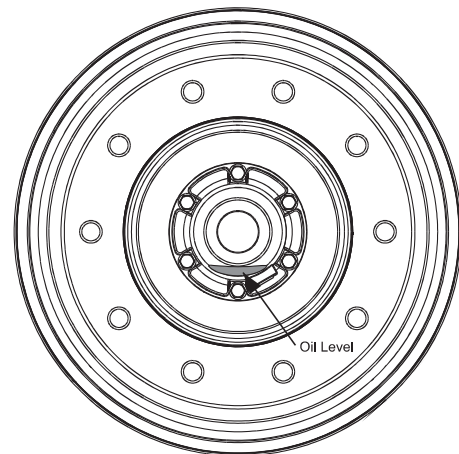


Figure 12 - Wheel Bearing Oil Level

## Adjusting the Maximum Wheel Turn Angle

### CAUTION

**Do not adjust maximum wheel turn angle greater than 55°. Mis-adjustment of the wheel turn angle can cause damage to steering system components.**

The turn angle may require adjustment if the front tires rub against the frame, suspension, body, or the steering gear has been serviced/replaced. Use an alignment machine to check the wheel turn angle. See the measurement procedure of the alignment machine manufacturer.

The steering stop bolt on the steering knuckle controls the maximum turn angle. If the stop bolt is missing, bent, or broken; replace the stop bolt(s) or jam nut(s) and follow the procedure below for adjustment. Inspect other suspension components for damage.

### CAUTION

**In power steering systems, the hydraulic pressure should relieve or “drop off” when the steered wheels approach the steering stops in either direction. If the pressure does not relieve, the components of the front suspension may be damaged.**

If the steering stop bolts are adjusted to reduce wheel turn angle, the steering gear poppet valves will require readjustment. If the poppets are not re-adjusted properly, then the steering gear will not reduce power assist properly and steering components will be damaged. Refer to

TRW’s TAS Steering Gear Service Manual for readjusting the poppets.



Figure 13 - Steering Stop Bolt

Unit	Steering Stop Length “A”
IFS1460 (52° wheel cut)	.87”
IFS1460 (55° wheel cut)	.76”

1. Drive the front tires on a suitable device that allows the front wheels to turn and measures the wheel turn angle.
2. Secure the vehicle by setting the parking brake and block the drive wheels to prevent vehicle movement.

### NOTE

**Unequal toe-in side to side or an out-of-center steering gear can result in unequal turn angles and steering pull while steering straight ahead. The drag link length may be adjusted to attain steering gear on center condition while maintaining equal toe-in side to side. Do not adjust the length of the drag link or tie rods to center the steering wheel. This can cause the steering gear to become off center.**



- 
3. Check that the steering gear is centered and the tires are steered straight ahead with equal toe-in side to side. If either of these two conditions is not met, then adjust toe-in first before centering the steering gear. See Adjusting the Toe-In Section and refer to Spartan chassis service guidelines for centering the steering gear.
  4. Check that the lengths of the outer tie rods are equal to each other within 1/8 inch. If not, adjust lengths according to the adjusting the toe-in section before adjusting the steering stops.
  5. Turn the steering wheel until the steering stop bolt contacts the knuckle carrier or the steering wheel stops turning. Measure the turn angle of the wheel on the same side as the direction of turn.
  6. If the wheel turn angle differs from Spartan chassis guidelines then adjust as follows.
  7. Loosen the jam nut on the stop bolt.
  8. Turn the stop bolt until the specified wheel turn angle is achieved and the bolt head contacts the knuckle carrier.
  9. Tighten the jam nut to **50-75 ft-lb** (See Torque Table).



## CAUTION

**After readjusting the steering stop(s) check that the steering poppets are reset properly and that the front tires do not contact the frame, suspension, or body. Also check that other components are not abnormally contacting one another.**

10. Repeat checking and adjustment for turning the opposite direction.

## Inspection Before Alignment

See the General Inspection section and check the following before conducting front wheel alignment measurements.

### Wheels and Tires

1. Check that the front tires are inflated to the appropriate pressure based on the tire loading.
2. Check that the front tires are the same size and type.
3. Check that all the wheel nuts are tightened to the specified torque of **450-500 ft-lb** (See Torque Table).
4. Check that the wheel and tire assemblies are balanced.

### Front Suspension

1. Check that all fasteners are tightened to the specified torque.
2. Check the suspension ride height and adjust as needed to the specified height.
3. Check for worn ball joints, tie rod ends, steering arm bearings, control arm bushings, knuckle carrier bearings, and damaged suspension components. Replace worn components as needed.
4. Check for loose ball joint and tie rod end tapered connections, tie rod end jam nuts, steering arm mounts, and chassis steering system components. Inspect connections for wear and replace as needed. Tighten connections as needed.
5. Check the wheel bearing adjustment and adjust as needed.
6. Inspect the shock absorbers for wear and damage.

---

## Rear Axle and Suspension

Front tire wear and incorrect steering can be caused by the rear axle and/or suspension.

1. Check that all fasteners are tightened to the specified torque.
2. Check the suspension ride height and adjust as needed to specified height.
3. Check that all connection joints between the suspension and axle are secure.
4. Check for worn suspension bushings or damaged suspension components.
5. Check that the rear axle is correctly aligned.
6. Check that the frame is not bent.
7. Refer to any additional recommendations and specifications from the manufacturer of the chassis on rear axles and suspensions.

<b>NOTE</b>
-------------

<b>Total vehicle alignment is recommended when aligning the front suspension.</b>
---

## Front Wheel Alignment

### Equipment

Reyco Granning LLC recommends that suitable alignment equipment be used to measure the wheel alignment characteristics: camber, caster, and toe-in. The alignment equipment must be properly calibrated for accurate measurements. Only qualified personnel should conduct the wheel alignment measurements.

## General

The overall toe-in of the front wheels should be checked every 24,000 miles or 2 years. When the vehicle does not steer correctly or the front tires develop an abnormal tire wear pattern, the camber, caster, and toe-in should be measured and adjusted as needed. Toe-in typically has the largest effect on tire wear.

The maximum wheel turn angle should be checked and adjusted as needed.

Eccentric adapters are installed in the lower control arm mounts. The purpose of the adapters is to provide additional adjustment of camber and caster to minimize vehicle drifts or pulls to one side of the road.

The lower bar pin of the knuckle carrier bearing marked with a “B” may also be used to provide additional camber adjustment.

## Preparation

1. Follow the alignment equipment manufacturer’s procedures for preparing the vehicle for front and rear wheel alignment measurements.
2. Secure the vehicle by setting the parking brake and block the drive wheels to prevent vehicle movement.



## NOTE

An out-of-center steering gear can result in unequal wheel turn angles. The steering gear should remain centered during toe-in adjustment. Do not adjust the length of the drag link or tie rods to center the steering wheel. This can cause the steering gear to become off center.

3. Check that the steering gear is centered when the tires are steered straight ahead (i.e. equal toe-in side to side). Center the steering gear according to Spartan's guidelines.
4. Measure and record the individual wheel camber, caster, and toe-in of the front suspension. Also measure and record the cross camber cross caster, and overall toe-in.
5. If adjustment to camber and caster is required then follow the steps below. Otherwise, go to the "Adjusting the Toe-In" section to adjust the toe-in as needed.

## WARNING

Never work under a vehicle supported by only a jack(s). Jacks can slip or fall over and cause serious personal injury. Always use safety stands. Do not place jacks or safety stands under the lower control arms to support the vehicle. Lower control arms are not stationary components and could move allowing the vehicle drop causing serious personal injury.

6. Raise the vehicle until the front wheels are off the ground. Support the raised vehicle with safety stands.

## Adjusting the Camber Angle

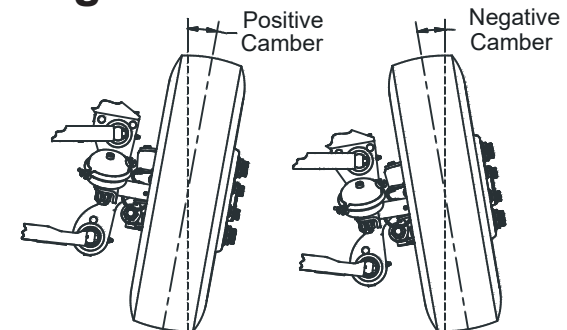


Figure 14 – Camber Angle

## CAUTION

Do not alter components to adjust the camber.

Camber is the angle of the wheel with respect to the ground as viewed from the front or rear of the vehicle (Fig. 14). Camber is positive when the distance between centers of the front wheels at the top is greater than the distance at the ground.

The wheel camber angle is affected by the ride height of the suspension. If the ride height is set too high, then the camber measurement will be more positive. See the inspecting and adjusting suspension ride height sections before measuring camber. The table below lists the recommended camber angles.

Nominal Camber Values-Degrees		
	Unloaded	Loaded
Left	+1/4°(±1/4°)	+1/4°(±1/4°)
Right	+1/4°(±1/4°)	+1/4°(±1/4°)

## Eccentric Camber Adjustment

The setscrew in the eccentric adapter denotes the orientation of the eccentricity of the adapter. When the setscrew is in the 6 o'clock or 12 o'clock position, then the adapter is in the "neutral" position. There

are two adapters at each lower control arm mount and they must be oriented the same.

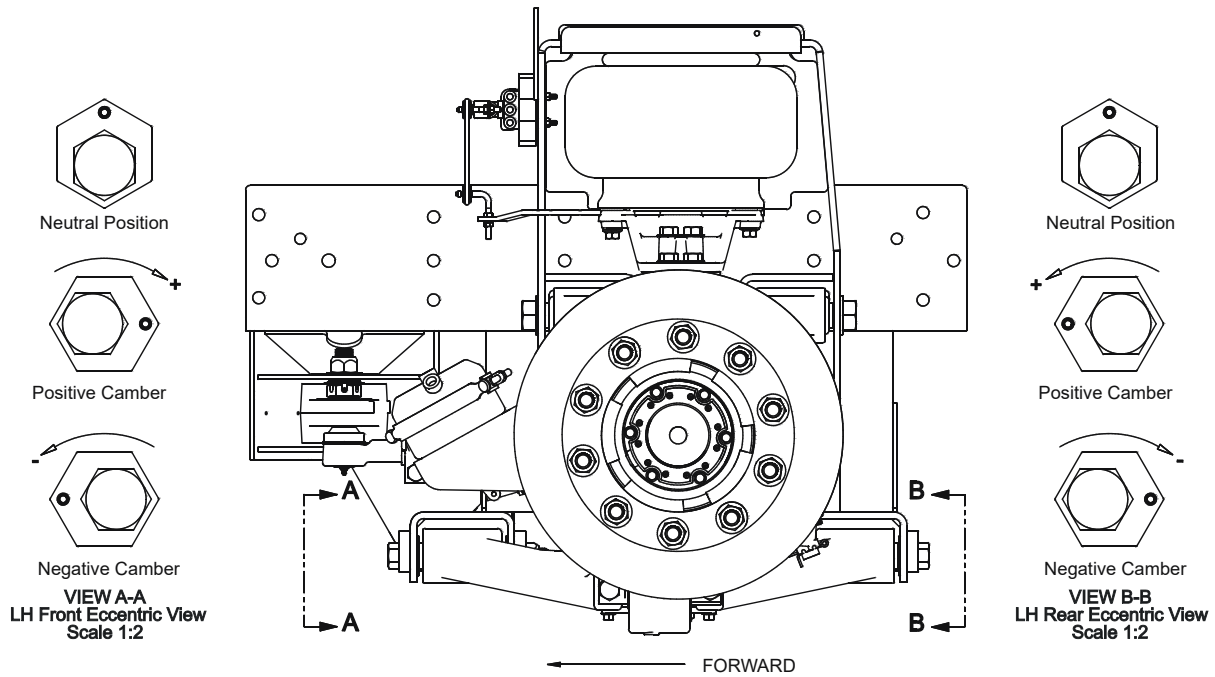


Figure 15 – Eccentric Camber Adjustment

When the setscrews in both lower control arm mounts are oriented closer to the suspension centerline, the tire camber becomes more negative. When the setscrews in both control arm mounts are oriented farther from the suspension centerline, the tire camber becomes more positive (Fig. 15). The eccentric adapters at both lower control arm mounts must be oriented the same to affect only camber.

1. Loosen both lower control arm mounting bolts at the eccentric adapters. Do not remove the bolts because the adapters must remain engaged in control arm mounting plate for adjustment.
2. Loosen the setscrews.

3. Rotate each eccentric adapter to the same orientation as needed based on measured wheel camber. The eccentric adapters at each control arm mount must have the same orientation.
4. Tighten the adapter locknuts to **460-490 ft-lb** (See Torque Table).
5. Tighten the setscrews to **30-40 in-lb** (See Torque Table).
6. Remove the jack stands and lower vehicle completely. Check that the suspension is at the proper ride height.
7. Re-measure the camber and readjust as needed.

### Bar Pin Camber Adjustment

The lower bar pin of the knuckle carrier bearing marked with a “B” on the end is configured such that it can be re-oriented to provide camber adjustment. Lower bar pins are factory installed with the “B”

located closest to the lower control arm. The wheel camber becomes more positive when the lower bar pin is re-oriented such that the “B” is located farthest from the lower control arm.

1. Place a portable jack under the tire to secure and support it.

### CAUTION

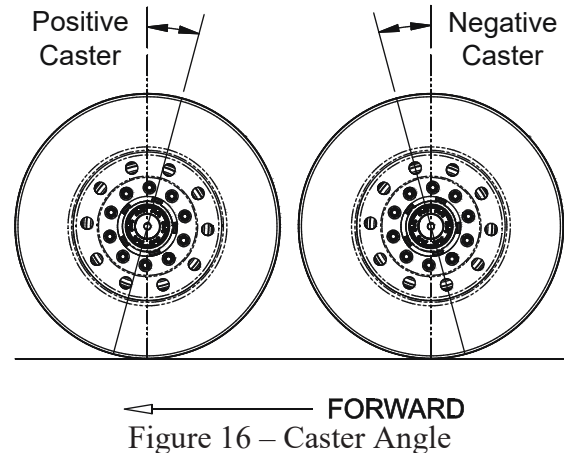
Do not remove both upper and lower knuckle carrier mounting bolts at the same time. The knuckle carrier must be secured and supported properly if both upper and lower mounting bolts are removed.

### NOTE

Lower control arm may move downward due to the internal gas charge in the shock absorber. A portable jack may be needed to align the lower control arm with the knuckle carrier bar pin.

2. Remove the bottom knuckle carrier mounting bolts from the lower control arm. Heat may need to be applied to the control arm to loosen the thread adhesive. The control arm temperature must not exceed 300°F. Do not apply heat directly to the bar pin or mounting bolts.
3. Raise the jack to separate the bar pin from the control arm and re-orient it.
4. Lower the jack to align the bar pin with the control arm. Apply Loctite #242 to mounting bolt threads and tighten to **350-375 ft-lb** (See Torque Table).

## Adjusting the Caster Angle



FORWARD  
Figure 16 – Caster Angle

### CAUTION

Do not adjust the suspension ride height or alter components to adjust the caster.

The caster angle is the angle between a vertical axis and the axis defined by the king pin when viewed from the side of the vehicle. When the king pin axis appears rotated clockwise relative to the vertical axis, then the caster is positive. Positive caster creates a self-aligning moment to stabilize the vehicle when driving straight ahead (**Figure 16**).

The caster angle is indirectly measured from the change in wheel camber as the wheel is turned through a prescribed turn angle. Therefore, the calculated caster is affected by the ride height of the suspension. See the inspecting and adjusting suspension ride height sections before measuring caster. The table below lists the recommended caster angles.

Nominal Caster Values-Degrees		
	Unloaded	Loaded
Left	+3°(±1/2°)	+3°(±1/2°)
Right	+3°(±1/2°)	+3°(±1/2°)

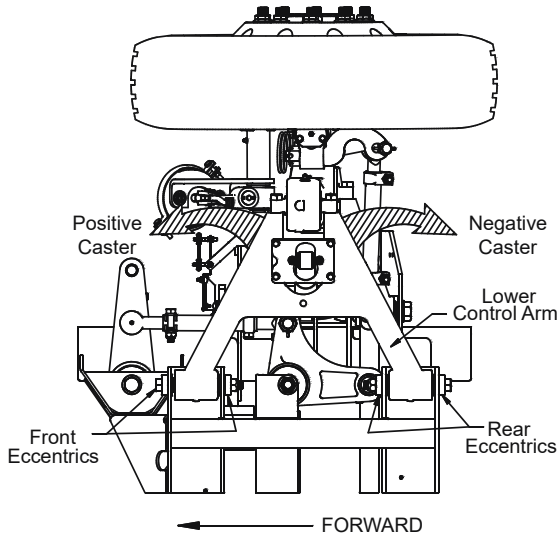


Figure 17 – Lower Control Arm Movement

### Eccentric Caster Adjustment

The setscrew in the eccentric adapter denotes the orientation of the eccentricity

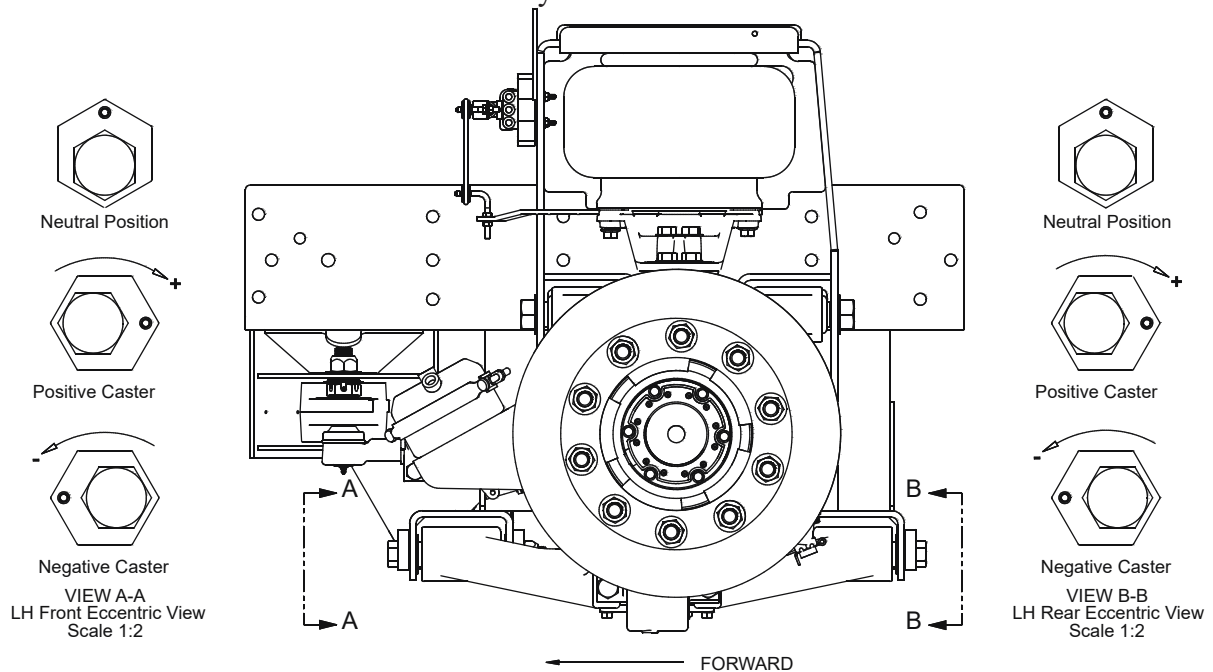


Figure 18 – Eccentric Caster Adjustment

of the adapter. When the setscrew is in the 6 o'clock or 12 o'clock position, then the adapter is in the "neutral" position. There are two adapters at each lower control arm mount and they must be oriented the same.

When the setscrews in the forward lower control arm mount are oriented closer to the frame rail and the setscrews in the rearward lower control arm mount are oriented farther from the frame rail, the caster becomes more negative (**Figure 18**).

When the setscrews in the forward lower control arm mount are oriented farther from the frame rail and the setscrews in the rearward control arm mount are oriented closer to the frame rail, the caster becomes more positive.

The eccentric adapters at both lower control arm mounts must be oriented opposite each other to affect caster.

1. Loosen both lower control arm mounting bolts at the eccentric adapters. Do not remove the bolts because the adapters must remain engaged in control arm mounting plate for adjustment.
2. Loosen the setscrews.
3. Rotate the eccentric adapters at the forward and rearward control arm mounts opposite one another as needed based on measured wheel caster. The eccentric adapters at each control arm mount must have the same orientation.
4. Tighten the adapter locknuts to **460-490 ft-lb** (See Torque Table).
5. Tighten the setscrews to **30-40 in-lb** (See Torque Table).
6. Remove the jack stands and lower vehicle completely. Check that the suspension is at the proper ride height.
7. Re-measure caster and readjust as needed.

the tendency of the tires to toe-out when the vehicle is driven straight ahead. Incorrect toe-in can result in rapid tire wear.

1. Measure the length of the outer tie rods. Reference length is 17 inches.
2. If the lengths of the outer tie rods are not within 1/8 inch of each other, then adjust their lengths such that they are within 1/8 inch of each other. Loosen the tie rod clamps on each end of the tie rod and turn the center tube to change the length.
3. Adjust the length of both outer tie rods equally such that the toe-in on each side is  $1/16'' \pm 1/32''$  and the over all toe-in is  $1/8'' \pm 1/16''$ . Tighten tie rod clamp nuts to **50-60 ft-lb** (See Torque Table). Refer to **Figure 6** for tie rod clamp orientation.

## Adjusting the Toe-In



### CAUTION

Do not alter components to adjust the toe-in.



### CAUTION

Improperly oriented tie rod clamps can cause binding in the suspension steering system.

Wheel toe-in is the relationship of the distance between the centers of the front and rear of the front wheels. When the front distance is less than the rear distance, the wheels are “toed-in”. Toe-in is designed into the suspension to counteract

# Repairs

---

## General Procedures

Repair or reconditioning of front suspension components is not allowed. Components that are damaged or worn must be replaced. Several major components are heat treated and tempered.

### **WARNING**

**The components cannot be bent, welded, heated altered, or repaired in any way without reducing the strength or life of the component and voiding the warranty.**

The following operations are prohibited on front suspension components.

1. Welding of or to the steering knuckles, control arms, steering arms, knuckle carrier, tie rod assemblies, the brakes, the hubs, and the brake drums.
2. Hot or cold bending of the steering knuckles, control arms, steering arms, knuckle carrier, tie rod assemblies, ball joints, and the sub-frame except control arm and steering arm mounts which may be cold bent to facilitate bushing and bearing replacement.
3. Drilling out control arm and steering arm mounting holes and ball stud tapered holes.
4. Spray welding of bearing diameters on the steering knuckle spindle, steering arm bores and pivot tube. Spray welding of ball studs or tapered holes for the ball joint and tie rod ends.
5. Milling or machining of any component except that control arm bushing bores may be honed to remove any burrs.

### **WARNING**

**Never work under a vehicle supported by only a jack(s). Jacks can slip or fall over and cause serious personal injury. Always use safety stands. Do not place jacks or safety stands under the lower control arms to support the vehicle. Lower control arms are not stationary components and could move allowing the vehicle drop causing serious personal injury.**

The vehicle may be supported on safety stands by the suspension sub-frame or chassis frame for repairs that require removal of the wheel and tires or deflation of the air springs. Always secure the vehicle by setting the parking brake and block the drive wheels to prevent vehicle movement before performing repairs.

## Cleaning the Parts

### **WARNING**

**If you use cleaning solvents, hot solution tanks or alkaline solutions incorrectly, serious personal injury can occur. To prevent injury, follow the instructions supplied by the manufacturer. Do NOT use gasoline to clean parts. Gasoline can explode.**

## Ground or Polished Parts

Use a cleaning solvent to clean ground or polished parts and surfaces. DO NOT clean ground or polished parts with hot solution tank or with water, steam or alkaline solutions. These solutions will cause corrosion of the parts.



---

## Rough Parts

Rough parts can be cleaned with the ground and polished parts. Rough parts also can be cleaned in hot solution tanks with a weak alkaline solution. Parts should remain in the hot solution tanks until they are completely cleaned.

## Drying

Parts must be dried immediately after cleaning. Dry parts with clean paper or rags, or compressed air. Do not dry bearings by spinning with compressed air.

## Preventing Corrosion

Apply light oil to cleaned and dried parts that are not damaged and are to be immediately assembled. Do NOT apply oil to the brake linings or the brake drums. If the parts are to be stored, apply a good corrosion preventative to all surfaces and place them inside special paper or containers that prevent corrosion. Do NOT apply corrosion preventative to the brake linings or the brake drums/rotors.

## Replacing Tie Rod Ends

### Removal

1. Remove the cotter pins from the tie rod end ball stud(s).
2. Remove the castle nuts from the tie rod end ball stud(s).

 **CAUTION**

**Do not strike the component mating taper directly with a steel hammer. Parts can break and cause serious personal injury. Wear eye protection.**

3. Disconnect the tie rod end ball stud from the mating component tapered hole using a suitable tool.

4. Inspect the tie rod end ball stud and mating component tapered hole(s). Replace components with worn tapered hole(s). If the grease seal is damaged during removal, replace it before installation.

## Installation

1. Clean the mating component tapered hole(s) of any contamination. Insert the tie rod end ball stud into the tapered hole and secure it with the castle nut.

 **CAUTION**

**Tighten the castle nuts to the specified torque. If the castle nuts are not tightened to the specified torque, the parts will be damaged and serious personal injury may occur.**

2. Tighten the castle nut to **90-100 ft-lb** (See Torque Table).
3. Install the cotter pins. If necessary, tighten the castle nut to align the hole in the ball stud and slots in the castle nut. Do not loosen the castle nut to install the cotter pin.
4. Lubricate tie rod end as needed.

---

## Replacing the Steering Arm Ball Joints

The thread-in mount type ball joints are installed with a thread adhesive and may require the threads to be warmed to ease removal. If heat is applied to the ball joint threads, the steering arm temperature must not exceed 300°F and the heat should be applied at the bottom of the ball joint base only. Applying heat to the ball joint will damage the ball joint by destroying its internal components as well as the external seal permanently, degrading the lubricant, and restricting ball stud movement.

It is recommended that the appropriate tools be used to remove the ball stud taper from the relay rod and to remove the ball joint base from the steering arm.

### Removal

1. Remove the cotter pins from the ball joint ball stud(s).
2. Remove the castle nuts from the ball joint ball stud(s).

 **CAUTION**

**Do not strike the component mating taper directly with a steel hammer. Parts can break and cause serious personal injury. Wear eye protection.**

3. Disconnect the ball joint ball stud from the steering arm tapered hole using a suitable tool.
4. Secure the steering arm and remove the ball joint using a ball joint spanner wrench or similar device on the base. Steering arm may be removed to facilitate ball joint removal. See the steering arm replacement section as needed.

5. Inspect the ball joint stud and relay rod tapered hole(s). Replace relay rod if tapered hole(s) is worn.

### Installation

1. Clean the threaded hole in steering arm of any contamination.
2. Apply thread adhesive Loctite #242 to the ball joint base threads and thread it into the steering arm by hand.
3. Tighten the base of the ball joint to **325-375 ft-lb** (See Torque Table).
4. Clean the relay rod tapered hole(s) of any contamination. Insert the ball joint stud into the tapered hole and secure it with the castle nut.

 **CAUTION**

**Tighten the castle nuts to the specified torque. If the castle nuts are not tightened to the specified torque, the parts will be damaged and serious personal injury may occur.**

5. Tighten the castle nut to **155-170 ft-lb** (See Torque Table).
6. Install the cotter pins. If necessary, tighten the castle nut to align the hole in the ball stud and slots in the castle nut. Do not loosen the castle nut to install the cotter pin.

## Replacing the Bell Crank, Idler, and Crank Steering Arm Bearings

Replace the bell crank, idler, and crank steering arm bearings in sets. The replacement bearings should be installed



---

by pressing on the outer raceway only. Pressing on the inner raceway will damage the bearing.

The inner grease cavity of the steering arms should be cleaned when the bearings are replaced.

## Removal

1. Follow the procedures for removal of the relay rod from the ball joint in the bell crank and idler steering arm.
2. Follow the procedures for removal of tie rod ends for the crank steering arm.
3. Remove the pivot bolt that mounts the steering arm and remove the steering arm from the sub-frame.
4. Remove the retaining rings from the pivot sleeve and remove the sleeve. A rubber or brass hammer may be used to remove the sleeve. Retain shims.
5. Support the steering arm bearing housing and press the bearing out of each end of the steering arm.

## Installation

1. Clean out the steering arm grease cavity.
2. Inspect steering arm bearing housing bores and remove burrs by honing. Replace steering arm if the bore is damaged.
3. Pack the steering arm bearing with grease.
4. Support the steering arm bearing housing and press the bearing into each end of the steering arm. Note that the seal side of the bearing should face out.
5. Inspect the pivot sleeve and remove burrs with emery cloth.
6. Install one retaining ring onto pivot sleeve.

7. Insert the pivot sleeve into the lower bearing. Use a rubber mallet or similar tool to drive the inner sleeve into the bearings such that the bottom-retaining ring is seated against the bottom inner race. Do not use a steel hammer to install the sleeve because bearing raceways can be damaged.
8. Install upper retaining ring. Reseat lower retaining ring against the lower inner race as needed.
9. Determine the number of shims needed by stacking the shims and placing the stack between the upper retaining ring and inner race until a snug fit is achieved. Remove one shim from the stack and this is the number of shims needed. A maximum of six shims may be used.
10. Remove the upper retaining ring, install the shims determined in step 9 onto the inner sleeve at upper inner race, and re-install the upper retaining ring. Check that upper retaining ring is properly seated in the groove of the inner sleeve.
11. Place the steering arm in its mount and install the pivot bolt. Tighten the pivot bolt lock nut to **575-625 ft-lb** (See Torque Table).
12. Follow the procedures for installation of the relay rod or tie rod.

## Replacing the Upper and Lower Control Arm Bushings


The sub-frame control arm mounts may require widening to accommodate replacement bushings. A suitable jack may be used to increase the width of the control arm mounts by cold bending. Care must be taken to not exceed 5.00" width after

---

widening. The control arm mounts should be inspected for damage.

Both control arm bushings and mounting hardware except eccentric adapters must be replaced in a control arm when bushings are serviced. It is recommended to replace the control arm bushings and mounting fasteners in all of the control arms at the same time.


The control arm housings must be properly supported during bushing removal. The bores of the control arm housings may be honed to remove any burrs.

 <b>CAUTION</b>
<b>Use of a cutting torch to remove control arm bolts will permanently damage control arm bushings and can result in damage to sub-frame.</b>

It is recommended that the wheel and tire be removed to provide proper accessibility. Disconnect the vertical height control valve linkage from the horizontal arm to prevent unintentional inflation of the air spring.

### Upper Control Arm Removal

1. Place a portable jack under the knuckle carrier to secure and support it.

 <b>CAUTION</b>
<b>Do not remove both upper and lower knuckle carrier mounting bolts at the same time unless the knuckle carrier is properly secured.</b>

2. Remove knuckle carrier mounting bolts from the control arm. Heat may need to be applied to the control arm to loosen the thread adhesive. The control arm temperature must not exceed 300°F. Do not apply heat directly to the bar pin or mounting bolts.
3. Disconnect sway bar connector at sway bar if so equipped with a sway bar.
4. Loosen and remove control arm mounting locknuts.
5. Support control arm and remove control arm mounting bolts. Remove the control arm.
6. Remove the sway bar bracket and linkage from the control arm and retain for installation.
7. Press the bushings out of the housings. Support the housing properly.

### Upper Control Arm Installation

1. Inspect the housing bores and remove any burrs in the housing bores by honing.
2. Press the bushings into the housings using a suitable tool to apply pressure to only the outer metal of the bushing. Support the housing properly.
3. Re-install the sway bar bracket and linkage if removed.
4. Place the control arm in its mount location. Install the control arm mounting hardware and tighten snugly.
5. Orient the control arm at suspension ride height and tighten the bolts to **950-1050 ft-lb** (See Torque Table).
6. Reconnect the sway bar linkage. Tighten mounting bolt to **75-85 ft-lb** (See Torque Table).

- 
7. Apply Loctite #271 to mounting bolt threads and tighten to **350-375 ft-lb** (See Torque Table).

### Lower Control Arm Removal

1. Place a portable jack under the knuckle carrier to secure and support it.

 <b>CAUTION</b>
--

<p><b>Do not remove both upper and lower knuckle carrier mounting bolts at the same time unless the knuckle carrier is properly secured.</b></p>
--

<b>NOTE</b>
-------------

<p><b>Lower control arm may move downward due to the internal gas charge in the shock absorber. A portable jack may be needed to align the lower control arm with the knuckle carrier bar pin.</b></p>
--

2. Remove knuckle carrier mounting bolts from the control arm. Heat may need to be applied to the control arm to loosen the thread adhesive. The control arm temperature must not exceed 300°F. Do not apply heat directly to the bar pin or mounting bolts.
3. Note orientation of lower bar pin in carrier bearing. Raise the jack as needed to separate the bar pin from the control arm.
4. Remove and retain the lower shock bar pin mounting hardware. Shock will extend due to internal gas charge. Rotate bar pin to provide clearance with mounting bracket.
5. Note orientation of eccentric adapters for installation.

6. Loosen and remove control arm mounting locknuts.
7. Support control arm and remove control arm mounting bolts. Retain eccentric adapters for installation. Remove the control arm.
8. Remove spacer tubes from bushings and retain for installation.
9. Press the bushings out of the housings. Support the housing properly.

### Lower Control Arm Installation

1. Inspect the housing bores and remove any burrs in the housing bores by honing.
2. Press the bushings into the housings using a suitable tool to apply pressure to only the outer metal of the bushing. Support the housing properly.
3. Install the spacer tubes in bushings.
4. Place the control arm in its mount location. Install the control arm eccentric adapters and mounting hardware and tighten snugly. Orient the eccentric adapters the same as before removal.
5. Orient the control arm at suspension ride height and tighten the bolts to **460-490 ft-lb** (See Torque Table).
6. Note orientation of bar pin in carrier bearing. Lower the jack to align the bar pin with the control arm.
7. Apply Loctite #271 to mounting bolt threads and tighten to **350-375 ft-lb** (See Torque Table).
8. Compress shock absorber and connect the lower bar pin mount to the lower shock bracket using the mounting hardware. Tighten the nuts to **30-40 ft-lb** (See Torque Table).

---

## Replacing Wheel Bearings, Oil Seals, and Hub Caps

If the wheel nuts have chrome covers, remove them with special pliers equipped with plastic non-marring jaws. Place them in a container to prevent damage or loss.

On aluminum wheels, place a plastic anti-scuff guard over the wheel nuts and loosen the wheel nuts. On steel wheels, remove the wheel hubcap nuts if present and the wheel hubcap before loosening the wheel nuts. Place the wheel hubcap in safe location to prevent damage. Place the wheel and/or wheel hubcap nuts in a container to prevent contamination or loss.

Remove the wheel and tire assembly and place it aside. Mark the tire to ensure it can be identified for installation on same side as removed. Remove the brake drum and place it aside. Mark the brake drum to ensure it can be identified for installation on same side as removed.

### Removal

1. Place an oil drip tub beneath the hub to catch oil. Rotate the hub such that the hubcap drain plug is facing upwards. Remove the drain plug from the hubcap and place it in a container for re-installation.
2. Rotate the hub such that the drain hole faces downward and drain the oil from hub cavity. Wait a few minutes for most of the oil to drain before continuing to the next step.
3. Remove the hubcap bolts, hubcap, and gasket. Take care not to damage the gasket for re-installation. Place the components in a location to prevent contamination. Note that the hub cap window may be damaged by solvents.

NOTE
<p>When removing or installing the inner and outer spindle nuts, use the correct wrench sockets to avoid damaging the nuts. Do not use impact driver to tighten inner and outer nuts. Only use a torque wrench to tighten the nuts.</p>

4. Unbend the spindle washer and remove the spindle outer nut, spindle washer, locking “D” washer, and the inner spindle nut. Retain all components for re-assembly except discard the spindle washer.
5. Place a shop towel on top of the lower brake shoe to prevent oil from dripping onto the brake lining.
6. Tug sharply on the hub to unseat the outer bearing without completely removing the hub. Wipe up any oil spilled on the brake assembly as quickly and completely as possible. Remove the outer bearing and place it in a container to prevent contamination.
7. Remove the hub from the spindle and place it on the floor with its stud side facing downwards. Protect the wheel studs from damage. Wipe the excess oil off spindle with a clean shop towel to prevent oil dripping onto the brake assembly. If oil saturates or significantly contaminates the brake lining then replace the lining.
8. Remove the hub seal and discard it. Remove the wear ring from the spindle and discard it.
9. Inspect the inner cup (outer bearing race for the inner bearing) and outer cup in the hub for damage. Replace the bearing cups if worn or damaged.

- 
10. Inspect the bearing areas on the spindle for wear or damage. Burrs may be removed by light application of emery cloth. Replace steering knuckle if the spindle is damaged.

## Installation

1. Place the hub seal assembly with axle ring onto the spindle so the words "Oil Bearing Side" face outboard. Do not place the seal in the hub bore.
2. Drive the seal onto the spindle using the appropriate seal installation tool and a 3-5lb hammer. (Reference Stemco P/N 552-5220) The wear ring is fully seated when it is square and flush with the face of the inner bearing shoulder of the spindle. Reseat the seal onto the wear ring if it becomes dislodged after seating.

### NOTE

**Do not drive bearings onto the spindle with a steel hammer or similar instrument. Bearing inner race is a tight slip fit with spindle.**

3. Pre-lube the inner bearing and place it onto spindle with small end of taper facing outward. Seat the inner race against the shoulder of the spindle.
4. Press the ABS sensor outward about ¼". Do not use a sharp tool on lead wire end of the sensor. See section for the inspection of ABS sensor as needed.
5. Place the hub onto the spindle until it seats on the inner bearing. Do not "ram" the hub onto the seal.

6. Pre-lubed outer bearing and place it onto the spindle until it seats on the outer cup in the hub. The inner spindle nut may be used to guide the bearing onto the spindle. The hub should be supported to prevent misalignment and binding.
7. Seat the bearings by tightening the inner spindle nut to **100 ft-lb** while rotating the hub.
8. Loosen the inner nut one turn, then tighten to **50 ft-lb** while rotating the hub.
9. Back off the inner spindle nut 1/3 turn.
10. Install spindle lock washer (D Washer), Spindle Washer and outer nut.
11. Torque the outer nut to **100-150 ft-lb**

### NOTE

**If the dowel pin of the inner spindle nut and a hole in the locking washer are not aligned, turn the locking washer over and re-install. If required, loosen the inner spindle nut just enough for alignment.**



### CAUTION

**Never tighten the inner spindle nut to align the dowel pin with hole in locking washer. This can pre-load the bearings and cause premature bearing failure.**

12. Verify that wheel endplay is between .001-.005 inches. (See inspecting wheel endplay section). If not, loosen outer nut, re-index the inner nut accordingly, and repeat Steps 9 thru 12 until proper endplay is achieved.

13. Bend retainer washer over one wrench flat of the outer nut.
14. Install hubcap gasket and hubcap. Tighten the cap screws to **20-30 ft-lb** (See Torque Table). Replace the hubcap vent plug if removed.
15. Fill the hub cavity with the appropriate amount and type of lubricant and secure drain plug.
16. Check oil level through the hubcap window (**Figure 19**). If level is below the “add” level line, then fill with recommended oil until “full” level is achieved. Add oil slowly since the heavy weight oil will settle slowly in the hub. (Note: The hubcap window can only be cleaned with mild soap and water. Aromatic solvents should not be used, as they will impair the transparency of the window.)

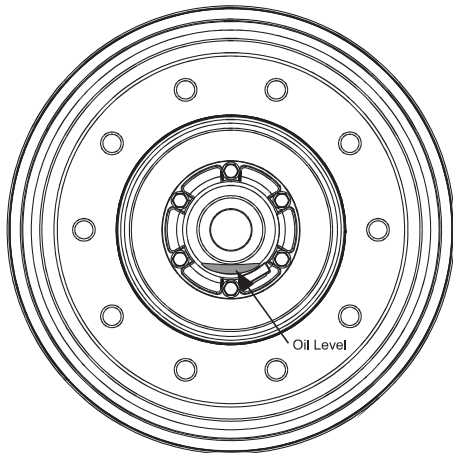


Figure 19 - Wheel Bearing Oil Level

17. Check the hub cap for external oil leakage at the drain plug or gasket. For leaks at the drain plug check for application of thread sealant to threads and tightness. For leaks at the gasket, replace the gasket. The vent plug will normally weep a small amount of oil.
18. Install the brake drum.

19. Install the wheel and tire assembly and the wheel nuts.
20. On aluminum wheels, use a plastic anti-scuff guard over the wheel nuts. Tighten the wheel nuts to **450-500 ft-lb**. See Torque Table for sequence.
21. Replace the wheel hubcap nuts and hubcaps if removed to service the wheel bearings.
22. Check the hub cap for external oil leakage at the drain plug or gasket. For leaks at the drain plug check for application of thread sealant to threads and tightness. For leaks at the gasket, replace the gasket. The vent plug will normally weep a small amount of oil.
23. Install the brake drum.
24. Install the wheel and tire assembly and the wheel nuts.
25. On aluminum wheels, use a plastic anti-scuff guard over the wheel nuts. Tighten the wheel nuts to **450-500 ft-lb**. See Torque Table for sequence.
26. Replace the wheel hubcap nuts and hubcaps if removed to service the wheel bearings.

## Replacing Brake Components

### Brake Drums

The brake drums should be replaced if they are damaged or exceed the drum manufacturers recommended maximum diameter or run-out specification. Refer to manufacturer brake drum guidelines for inspection and specifications.

### Automatic Slack Adjuster

The automatic slack adjusters are not serviceable and should be replaced if damaged or malfunctioning. Refer to



---

manufacturer guidelines for correct function of the automatic slack adjuster.

## Brake Chambers

The brake air chambers should be replaced if damaged or malfunctioning. Refer to manufacturer guidelines for correct function of the brake air chambers.

## Other Brake Components

The brake shoe linings should be replaced when they are worn beyond the manufacturers limits. When the brake linings are serviced, other components such as the S-cam rollers and return springs should also be serviced. Refer to the brake manufacturers guidelines for servicing the brakes.

## Replacing the ABS Sensor and Tone Ring

The anti-lock brake system (ABS) of the vehicle should be diagnosed by a qualified technician before the anti-lock brake sensor or the tone ring are replaced. Replacement parts must be equivalent to the vehicle manufacturers to ensure proper function of the anti-lock brake system. The anti-lock brake sensor and tone ring cannot be repaired and must be replaced if damaged or malfunctioning.

### Sensor Removal

1. Remove the brake drum to provide access to sensor.
2. Press sensor out of steering knuckle. Do not pull sensor out by its lead wire.
3. Remove tie straps that secure the sensor lead wire and disconnect the sensor lead wire from the chassis wire harness.

### Sensor Installation

1. Check that the sensor bushing is properly seated in the steering knuckle and the sensor spring retainer is seated properly in the sensor bushing.
2. Press the sensor into the steering knuckle until the sensor end contacts the tone ring.
3. Connect a volt meter to the connector pins of the sensor lead wire. Set the volt meter to read AC voltage on a scale of 1-10V.
4. Spin the hub by hand and read the voltage output of the sensor. A minimum reading of 0.8V AC is normal. Skip to step 8 if minimum reading is obtained.
5. If the minimum reading is not obtained then check the volt meter connection and proximity of the sensor and tone ring. The air gap between the sensor and tone ring should not exceed .027". Repeat step 4.
6. If the minimum reading is not obtained, check the tone ring for damage and its installation. The tone ring should have a maximum run-out of .008". Replace as needed and repeat step 4.
7. If the minimum reading is still not obtained, then replace the sensor and repeat the installation procedure.
8. Route and secure the sensor lead wire the same as the removed sensor.
9. Connect the sensor lead wire to the chassis. Secure wire lead to prevent damage during suspension movement.

### Tone Ring Removal and Installation

Follow the hub manufacturers guidelines for removal and installation of the tone ring.

---

## Replacing the Shock Absorber



### CAUTION

The shock absorber is gas pressurized and must not be punctured or be subjected to excessive heat which can result in serious personal injury. The shock will expand to its full extended length if not restrained.

### Removal

1. Remove lower shock thru bolt and retain for installation. Do not remove lower shock mount bracket from lower control arm.
2. Remove upper shock bushing mounting hardware and retain for installation.

### Installation

1. Position shock in suspension such that the thru bolt is connected to the lower shock mounting bracket tabs.
2. Attach upper shock bushing to suspension sub-frame with mounting hardware. Do not tighten.
3. Attach lower shock bar pin (IFS1460) to lower mounting bracket with mounting hardware. Tighten lower thru mounting bolt and nut (IFS1660 & IFS1800) to **170-190 ft-lb** (See Torque Table). Tighten nuts to **30-40 ft-lb** (See Torque Table).
4. Tighten upper mounting nut to **170-190 ft-lb** (See Torque Table).

## Replacing the Air Spring

The correct air spring must be installed. The use of a substitute air spring is not allowed and may cause unequal load sharing between the air springs and cause adverse ride and handling characteristics.

### Removal

1. Deflate the air spring by disconnecting one end of the vertical HCV linkage from the horizontal arm. Rotate the horizontal HCV arm downward and secure it in place.
2. Disconnect the airline at the air spring inlet port and remove the connection fitting from the inlet port.
3. Remove the bolts and washers from the upper air spring mount studs. Note location of bolts and washers.
4. Remove the bolts that secure the air spring to the lower air spring mount.

### Installation

1. Attach air spring to upper air spring mount. Note that the shorter bolt is located towards the front. Tighten mounting hardware snugly.
2. Attach air spring to lower air spring mount. Tighten lower mounting bolts to **20-30 ft-lb** (See Torque Table).
3. Tighten the upper mounting bolts to **20-30 ft-lb** (See Torque Table).
4. Apply Permatex or equivalent thread sealant to the threads of the air connection fitting and install the fitting.
5. Connect the airline to the fitting.
6. Inflate the air spring by un-securing the HCV horizontal arm and reconnecting the vertical linkage to it.



- 
7. Check the airline and fitting for air leaks.

## Replacing the Height Control Valve

The correct height control valve (HCV) must be installed. The use of a substitute HCV is not allowed and may cause unequal load sharing between the air springs and cause adverse ride and handling characteristics.

### Removal

1. Drain the air from the supply reservoir on the chassis connected to the front suspension.
2. Disconnect the vertical HCV linkage from the horizontal arm.
3. Mark airlines and connections for re-assembly. Disconnect the airlines from the HCV. If any other plumbing fixtures are connected to the HCV, mark them for re-assembly.
4. Remove the HCV mounting hardware from the sub-frame.
5. Remove any other air fittings or plumbing fixtures from the HCV.

### Installation

1. Apply Permatex or equivalent thread sealant to the threads of the air connection fittings or plumbing fixtures and install the fittings or plumbing fixtures in the HCV.

2. Attach the HCV to the sub-frame with mounting hardware. Orient the horizontal arm horizontally and tighten the mounting nuts to **7-9 ft-lb** (See Torque Table).
3. Connect airlines as marked during removal.
4. Connect the vertical linkage to the horizontal arm.
5. Recharge system with air and check for air leaks.
6. Check the ride height and adjust per section on adjusting the ride height as needed.

## Replacing the Sway Bar and Components

It is recommended that the sway bar mounting bushings and the vertical linkages be replaced all at the same time.

### Vertical Linkage Removal

1. Disconnect sway vertical linkage at upper control arm bracket on both sides. Retain hardware for installation.
2. Secure the sway bar to prevent rotation and disconnect the lower connection to the sway bar on both sides.

### Vertical Linkage Installation

1. Attach the sway bar vertical linkage to the upper and lower mounts.
2. Tighten the mounting nuts to **80-90 ft-lb** (See Torque Table).

### Sway Bar Removal

1. Follow the instructions for removal of the sway bar vertical linkage for both sides.

2. Remove mounting hardware from “D” ring sway bar mounts on rear of suspension sub-frame. Retain hardware for installation.
3. Remove the “D” rings and bushings from the sway bar.

### Sway Bar Installation

1. Replace the “D” ring bushings.
2. Apply TC 1920 Aqua Shield Grease to the inside of the bushing. Attach the “D” rings and bushings to the sway bar in the same location as removal.
3. Attach the sway bar to the sub-frame using the mounting hardware.
4. Tighten the mounting nuts to **52 ft-lb** (See Torque Table).
5. Follow the instructions for installation of the sway bar vertical linkage for both sides.

## Replacing the Steering Knuckle Carrier Bearings

It is recommended to replace all the steering knuckle carrier bearings at the same time.

The wheel and tire should be removed to provide access. The steering knuckle may be removed to provide easier handling of steering knuckle carrier assembly.



### CAUTION

**The knuckle carrier must be secured and supported properly when upper and lower mounting bolts are removed.**

## Removal

1. Note installed orientation of the upper and lower bar pin. Lower bar pins are factory installed with the “B” located closest to the lower control arm.

### NOTE

**Lower control arm may move downward due to the internal gas charge in the shock absorber. A portable jack may be needed to align the lower control arm with the knuckle carrier bar pin.**

2. Remove the steering knuckle carrier mounting bolts from the upper and lower control arms. Heat may need to be applied to the control arm to loosen the thread adhesive. The control arm temperature must not exceed 300°F. Do not apply heat directly to the bar pin or mounting bolts.
3. Remove steering knuckle carrier.
4. Support fixed shoulder end of the bar pin.
5. Remove retaining clip and outer collar from the split ring.
6. Apply approximately 400 lb press load to the spacer and remove the split collar.
7. Remove spacer and shims.
8. Press bar pin out of bearing cones.
9. Remove outer seals from both sides of bearings.
10. Remove bearing raceways from the steering knuckle carrier. Do not damage bores.
11. Clean the remaining grease from the bearing cavity.

---

 **CAUTION**

**Do not apply excessive preload to bearings.**

### Installation

1. Inspect bearing raceway and seal bores in steering knuckle carrier for burrs or damage. Inspect the bar pin for burrs or damage. Remove burrs and replace damaged components.
2. Press a bearing race into each steering knuckle carrier bore until fully seated.
3. Pack a bearing cone with grease and place it onto the bar pin and seat the inner race on the shoulder.
4. Note the position and orientation of bar pin relative to the carrier. The shoulder end of the bar pin faces forward on the upper bar pin location. The shoulder end of the bar pin faces rearward on the lower bar pin location.
5. Insert the bar pin into the steering knuckle carrier until the bearing cone is seated in the raceway.
6. Turn the steering knuckle carrier over and support the shoulder end of the bar pin.
7. Pack a bearing cone with grease and place it onto the bar pin end opposite the shoulder and seat it in the raceway.
8. Place the spacer onto the bar pin and seat it against the inner raceway.
9. Apply approximately 400 lbs of press load to the spacer. Place the split collar into the groove of the bar pin and against the spacer.
10. Use a “feeler” gage to measure the gap between the split collar and shoulder of the groove in the bar pin. Record measurement.
11. Remove the load. Then remove the split collar and spacer.
12. Using the gap measurement from Step 10, place a number of shims equivalent to the gap measurement onto the bar pin against the inner raceway.
13. Place the spacer onto the bar pin.
14. Apply approximately 400 lbs of press load to the spacer such that the split collar can be inserted into the groove of the bar pin. Make sure the split collar is fully seated in the groove.
15. Remove the press load.
16. Place the outer collar around the split collar. Install the retaining clip around the split collar on the outside of the outside collar.
17. Press a seal into each seal bore until fully seated.
18. Check bearing preload by rotating the bar pin. Slight to medium drag should be felt. If too loose, add one shim. If too tight, remove one shim.
19. Fill bearing cavity with grease.
20. Install steering knuckle carrier mounting bolts in control arms. Note orientation of bar pin. Apply Loctite #242 to mounting bolt threads and tighten to **350-375 ft-lb** (See Torque Table).

---

This page intentionally left blank.

# Torque Tables

Most threaded fasteners are covered by specifications that define required mechanical properties, such as tensile strength, yield strength, proof load, and hardness. These specifications are carefully considered in initial selection of fasteners for a given application. To assure continued satisfactory vehicle performance, replacement fasteners used should be of the correct strength, as well as the correct nominal diameter, thread pitch, length, and finish.

## Grade Markings on Bolts

Grade	Lock Nut Grade B, F	Lock Nut: Grade C, G
<b>Identification</b>		
	3 Dots	6 Dots

## Grade Markings on Lock Nuts

**Torque Table 1**

APPLICATIONS	FASTENER SIZE	TORQUE SPECIFICATION (ft-lb) (CLEAN AND DRY)
Upper Control Arm Bushing Pivot Bolt	1-1/8-12 Grade C	950-1050 <sup>(1)</sup>
Lower Control Arm Bushing Pivot Bolt	7/8-9 Grade C	460-490 <sup>(1)</sup>
Eccentric Set Screw	#10-24x3/8	30-40 (in-lb)
Steering Knuckle Carrier Mounting Bolt	3/4-10 Grade 8	350-375 <sup>(1,4)</sup>
Lower Air Spring Mount Bolt (into carrier)	5/8-18 Grade 8	170-190 <sup>(1,4)</sup>
Air Spring Upper Mount Bolt (into cradle)	3/8-16 Grade 5 3/8-16 Grade 8	20-30 <sup>(1)</sup> 20-30 <sup>(1)</sup>
Air Spring Lower Mount Bolt	1/2-13 Grade 8	20-30 <sup>(1)</sup>
Idler Arm, Bell Crank & Crank Arm Mount Lock Bolt	1-14 Grade 8	575-625 <sup>(1)</sup>
Idler Arm & Bell Crank Ball Joint Base	M56x1.5	325-375 <sup>(2)</sup>
Idler Arm & Bell Crank Ball Joint Castle Nut	M20x1.5	155-170 <sup>(3)</sup>
Tie Rod Castle Nut	7/8-14	90-100
Tie Rod Clamp Nut	5/8-11 Grade B	50-60
Upper Shock Eye Mount Lock Nut	3/4-10 Grade C	170-190
Lower Shock Eye Mount Lock Nut	3/4-10 Grade C	170-190
Lower Shock Mount Bracket Bolt	3/8-16 Grade 8	30-40 <sup>(1)</sup>
Steering Stop Adapter	3/4-10	85-115 <sup>(2)</sup>
Steering Stop Jam Nut	1/2-20 Grade B	50-75
Steering Arm Castle Nut	1-1/8-12 Grade C	550-1025
Sway Bar Upper Control Arm Bracket Nut	1/2-13 Grade C	75-85
Sway Bar Mounting Bracket Nut	7/16-14 Grade C	48-56
Sway Bar Linkage Nut	1/2-20 Grade C	75-85
Kingpin Draw Key Nut	7/16-20 Grade G	30-45
Kingpin Cap Bolt	5/16-18 Grade 8	20-30 <sup>(1)</sup>
Spindle Nut	1-1/2-18	See Adjusting the Wheel Bearings Section
Spindle Outer Nut	1-1/2-12	200-300
Disc Brake Caliper Mount Screw	M20x2.5	300-330
Height Control Valve Body Mount Lock Nut	1/4-20 Grade C	10-15
Height Control Valve Linkage Stud Mount Nut	5/16-18 Grade B	8-12
Height Control Valve Adjuster Nut	1/4-20	24-28 (in-lb)

1) Torque applied to bolt head.

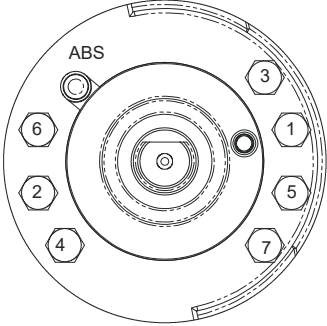
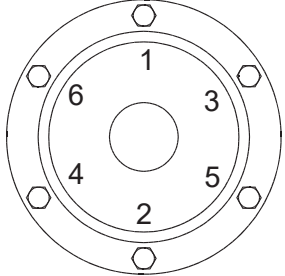
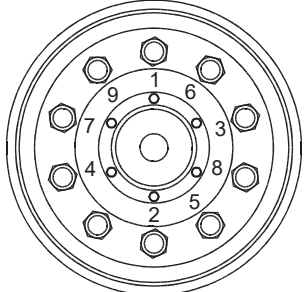
2) Apply thread adhesive Loctite #242 or equivalent to threads of fastener threaded into tapped hole.

3) Install cotter pin after tightening.

4) Apply thread adhesive Loctite #271 or equivalent to threads of fastener threaded into tapped hole.

# Torque Tables

## Torque Table 2

APPLICATIONS	FASTENER SIZE	TORQUE SPEC. (ft-lb) (CLEAN AND DRY)	TORQUE SEQUENCE
IFS1460 Dana Brake Spider and Torque Plate Mount Cap Screws	5/8-18 Grade 8	170-190	 <p style="text-align: center;">Driver Side</p>
Hub Cap Bolt	5/16-18 Grade 5	20-30 <sup>(1)</sup>	
Wheel Nut	M22x1.5 (Hub Piloted)	450-500 <sup>(2)</sup> (Dry Threads)	

**Reyco**<sup>®</sup>  
**Granning**<sup>®</sup>  
**S U S P E N S I O N S**

Reyco Granning Suspensions  
1205 Industrial Park Drive  
Mount Vernon, MO 65712  
Phone: 417.466.2178  
Fax: 833.896.6997  
[www.reycogranning.com](http://www.reycogranning.com)